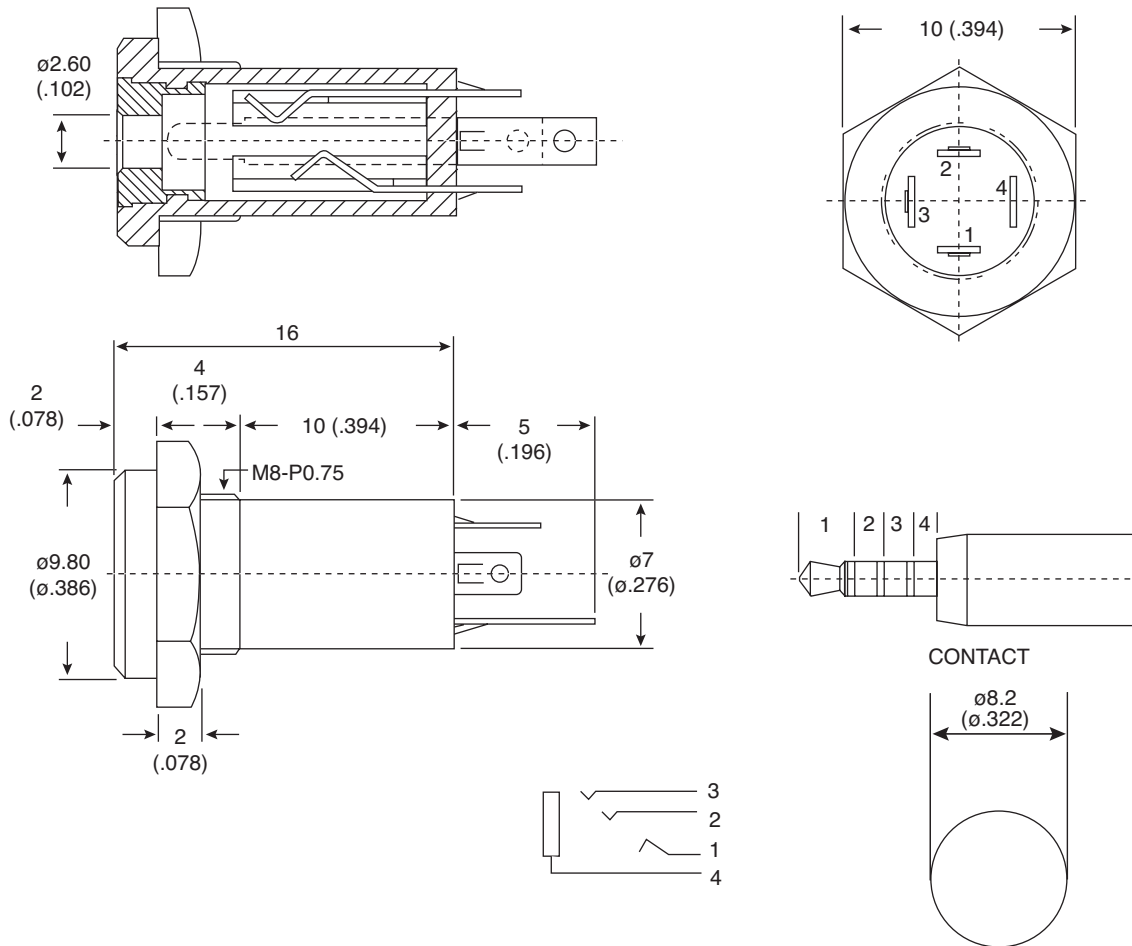


4 Conductor Sub-Miniature Jack

161-5425-EX



4 Conductor Sub-Miniature Jack



Dimensions: mm (in.)
(except where noted)

SPECIFICATIONS	
Insulation Resistance:	100MΩ min. @ 500VDC
Contact Resistance:	50mΩ max.
Dielectric Strength:	500VAC for 1 Minute
Contacts:	Nickel plated brass
Body:	PA Polyamid Resin (Nylon)

MATERIALS	
Contact 1:	FAB-EH t=0.25, Ni Finish
Contact 2:	FAB-EH t=0.3, Au Finish
Contact 3:	FAB-EH t=0.3, Ni Finish
Contact 4:	BSR t=0.3, Ni Finish
RoHS Compliant by Exemption	

Date Last Revised: 06-12-07

Available from Mouser Electronics
1-800-346-6873 / www.mouser.com

KC-300937

161-5425-EX

Specifications are subject to change without notice. No liability or warranty implied by this information. Environmental compliance based on producer documentation.