

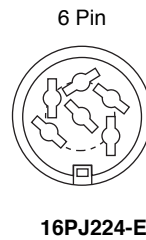
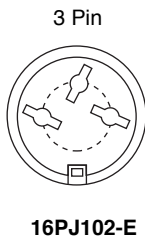
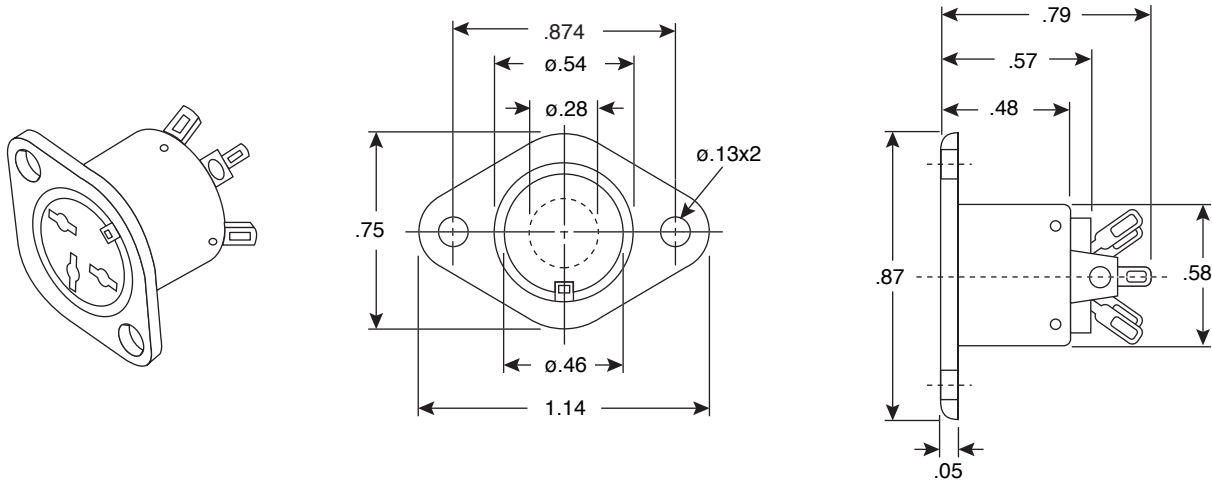
DIN Receptacles

16PJ102-E, 16PJ224-E



DIN Receptacles

16PJ102-E, 16PJ224-E



Dimensions: In.

| Mouser Stock No. | Description | Degree of Arc |
|------------------|-------------|---------------|
| 16PJ102-E | 3 Pin | 180° |
| 16PJ224-E | 6 Pin | 240° |

| SPECIFICATIONS | |
|------------------------|----------------------------|
| Rated Power: | 2A/34VDC |
| Contact Resistance: | 20mΩ max. |
| Insulation Resistance: | 300MΩ min. @ 500VDC |
| Dielectric Strength: | 1000VAC for 1 Minute |
| Case: | Nickel Plated Steel |
| Insulator: | Phenolic |
| Pin: | Tin Plated Brass |
| Ground Lug: | Tin Plated Phosphor Bronze |
| Rivet: | Aluminum |
| RoHS Compliant | |

Date Last Revised: 12-23-05

Available from Mouser Electronics
1-800-346-6873
www.mouser.com

KC-300941