

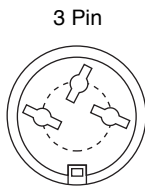
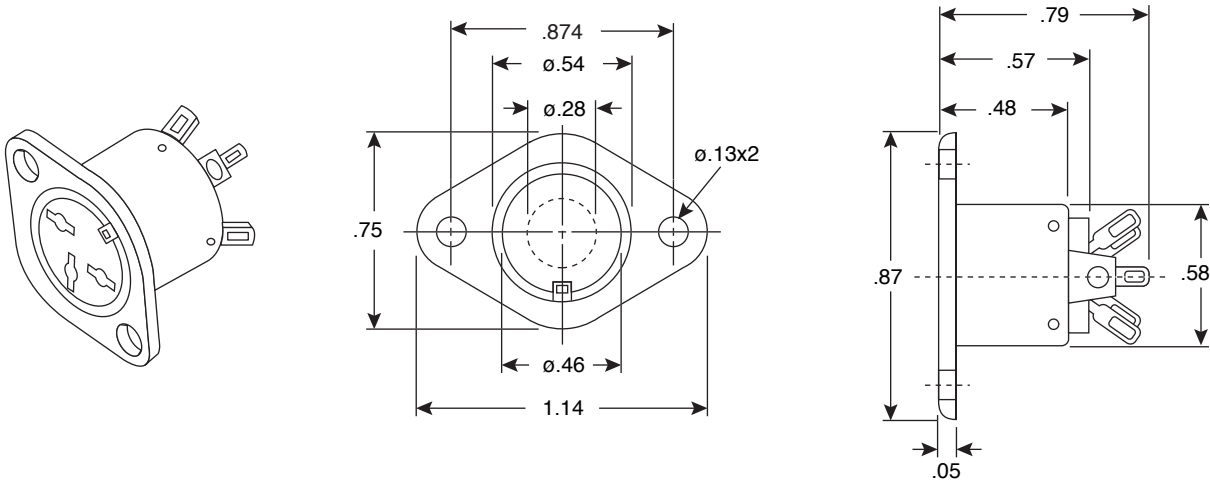
# DIN Receptacles

16PJ102-E, 16PJ224-E



DIN Receptacles

16PJ102-E, 16PJ224-E



3 Pin  
16PJ102-E



6 Pin  
16PJ224-E

Dimensions: In.

Mouser Stock No.	Description	Degree of Arc
16PJ102-E	3 Pin	180°
16PJ224-E	6 Pin	240°

SPECIFICATIONS	
Rated Power:	2A/34VDC
Contact Resistance:	20mΩ max.
Insulation Resistance:	300MΩ min. @ 500VDC
Dielectric Strength:	1000VAC for 1 Minute
Case:	Nickel Plated Steel
Insulator:	Phenolic
Pin:	Tin Plated Brass
Ground Lug:	Tin Plated Phosphor Bronze
Rivet:	Aluminum
RoHS Compliant	

Date Last Revised: 12-23-05

**Available from Mouser Electronics**  
**1-800-346-6873**  
**www.mouser.com**

KC-300941