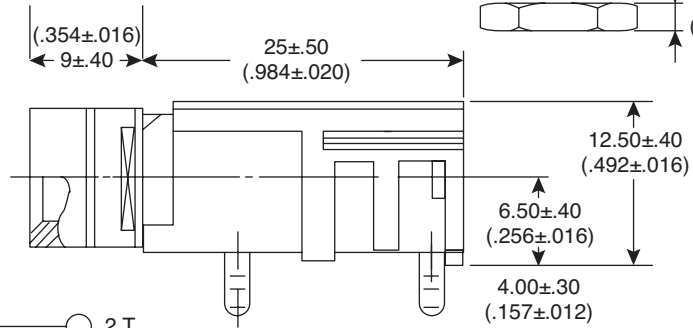
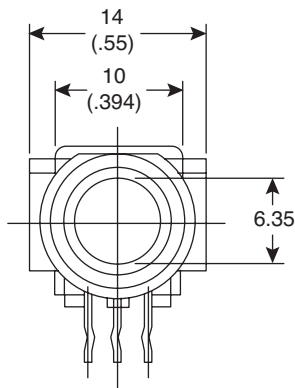
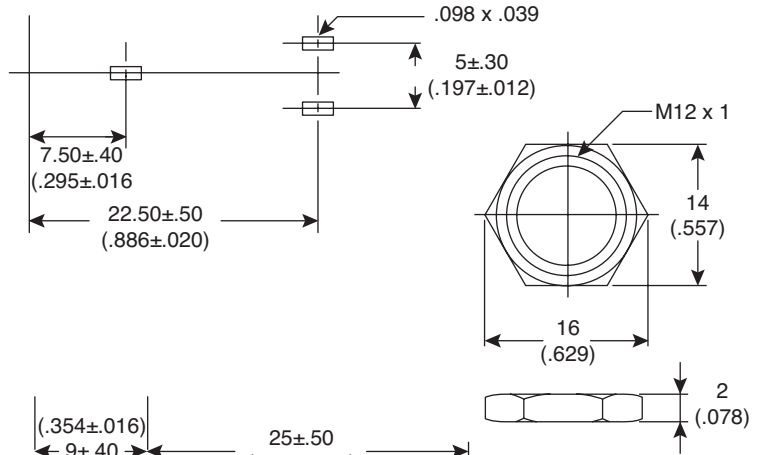
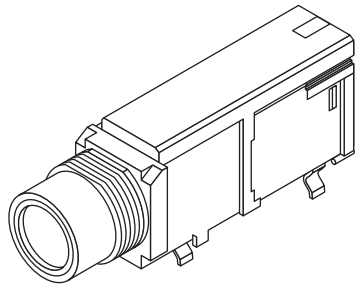


Stereo Jack 6.35mm

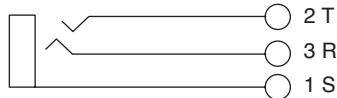
16PJ509



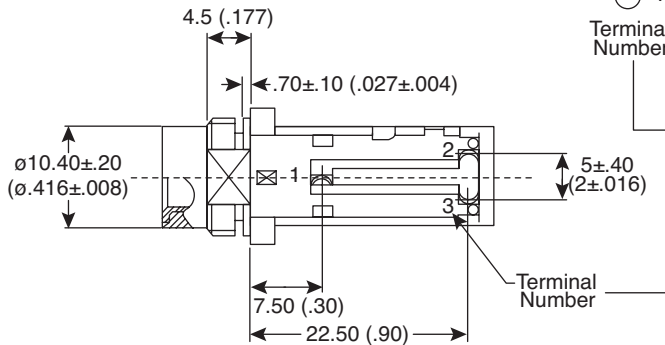
Stereo Jack 6.35mm



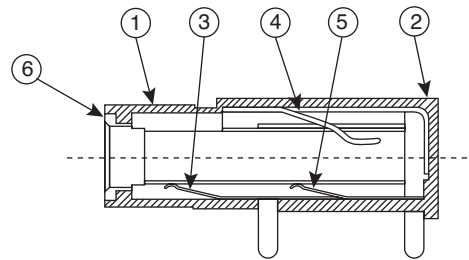
Circuit



Terminal Number



DIMENSIONS: mm (in.)



Inside Mechanism

MECHANICAL SPECIFICATIONS

This part is not designed for dual side mount installation with thru hole under wave soldering only single mount.

ELECTRICAL SPECIFICATIONS

Contact resistance:	30mΩ max.
Insulation resistance:	100MΩ(min.) @ 500VDC
Insulation withstand:	500VAC for 1 minute

No.	Part Name	Material	Finish
1	Housing	PPHOX	N/A
2	Cover	PPHOX	N/A
3	Earth Contact	Phosphor Bronze	Silver Plated
4	Tip Contact	Phosphor Bronze	Silver Plated
5	Ring Contact	Phosphor Bronze	Silver Plated
6	Sleeve	Brass	Nickel Plated

Date Last Revised: 11/20/14

Available from Mouser Electronics
1-800-346-6873 / www.mouser.com

KC-300157

Specifications are subject to change without notice. No liability or warranty implied by this information. Environmental compliance based on producer documentation.

16PJ509