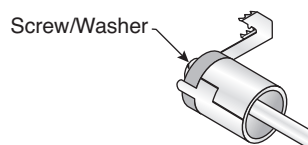
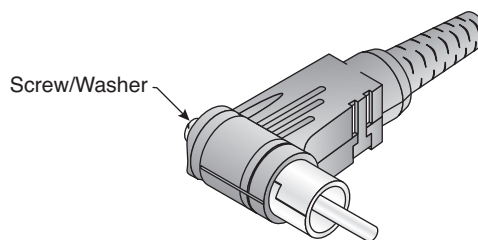
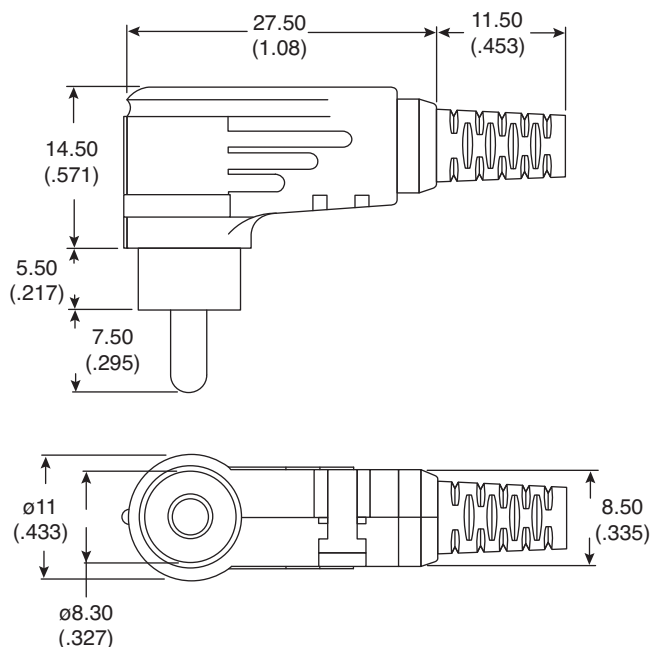


RCA Plugs

174-0251-E, 174-0252-E, 174-0253-E, 174-0254-E



RCA Plugs



Dimensions: mm (in.)

Part No.	Color
174-0251-E	Red
174-0252-E	Black
174-0253-E	White
174-0254-E	Yellow

SPECIFICATIONS	
Contact pin:	nickel plated brass
Insulation:	ABS
Housing:	PP
Strain relief:	PVC
RoHS Compliant	

Date Last Revised: 10-27-08

Available from Mouser Electronics
1-800-346-6873 / www.mouser.com

KC- 300916

Specifications are subject to change without notice. No liability or warranty implied by this information. Environmental compliance based on producer documentation.

174-0251-E, 174-0252-E, 174-0253-E, 174-0254-E