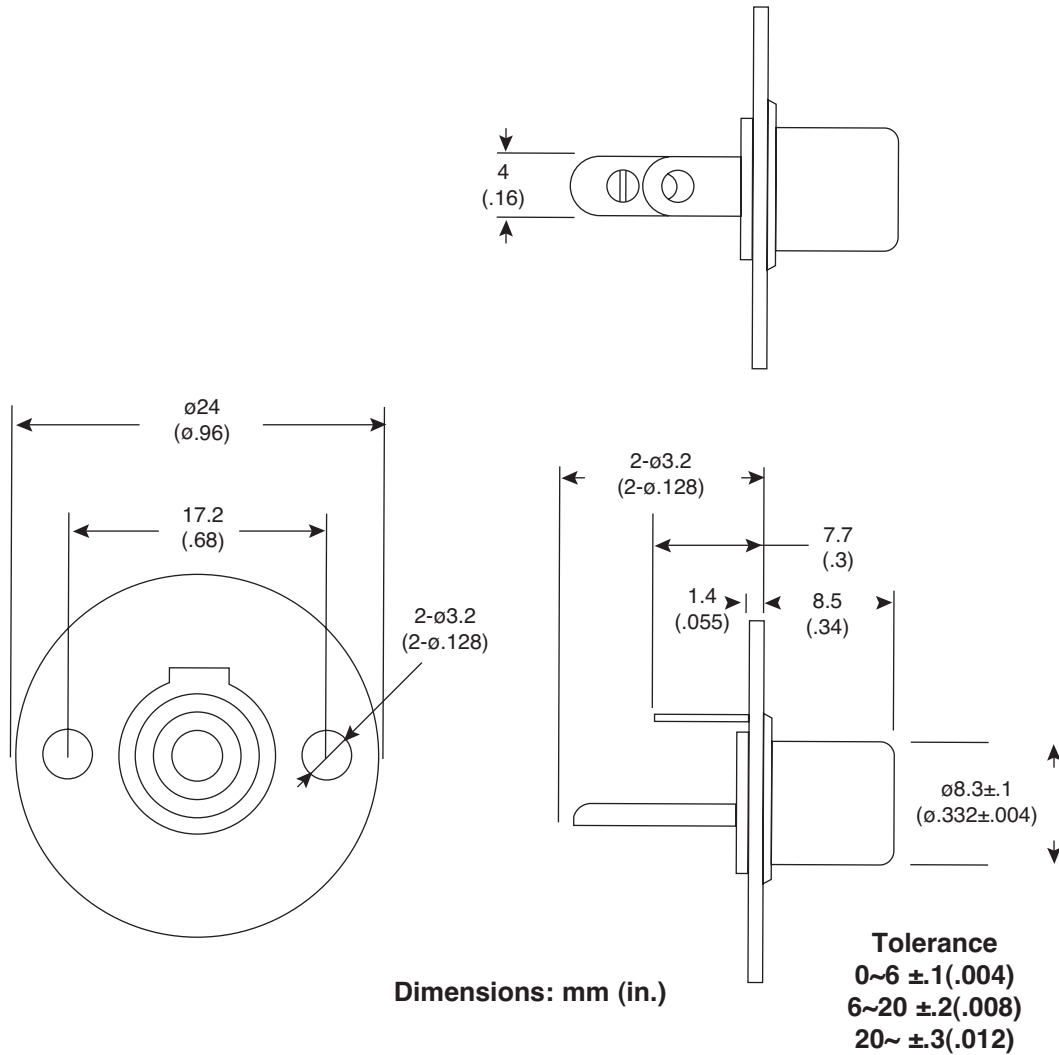


RCA Jack Panel Mount

161-R240-E

KOBICONN

RCA Jack Panel Mount



ELECTRICAL SPECIFICATIONS

Rating:	10A 250VAC
Contact resistance:	50m Ω max.
Insulation resistance:	DC 500V 100M Ω min.
Dielectric strength:	AC 1000V 1 minute

MATERIAL SPECIFICATIONS

Part	Material	Specification	Finish
Earth Terminal:	Sheet Iron	T=0.3	CuSn-Plated
Terminal:	H62Y	.25	CuSn-Plated
Outer Contact:	H62M	.4	Ni-Plated
Plate:	---	T=1.5	-
Housing:	PBT	-	-
Washer:	PBT	-	-

RoHS Compliant

Date Last Revised: 12-5-06

Available from Mouser Electronics
1-800-346-6873
www.mouser.com

KC-301080

161-R240-E