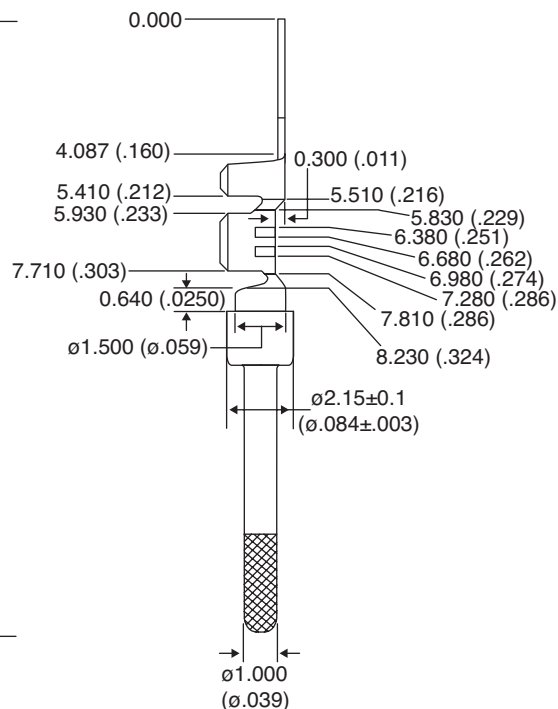
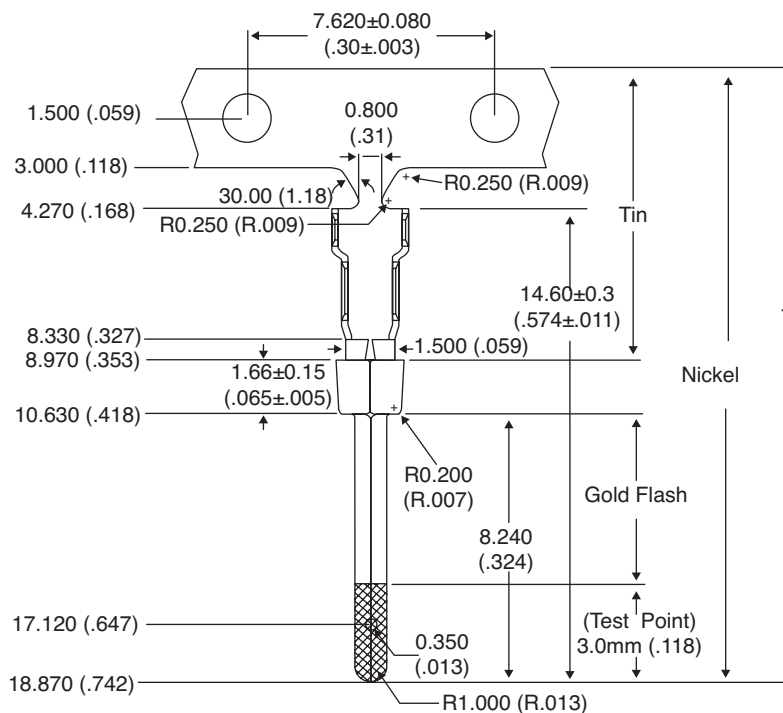


D-Sub Crimp Pin (Male)

156-1402-E



D-Sub Crimp Pin (Male)



Dimensions: mm (in.)
(except where noted)

SPECIFICATIONS	
Material:	C2680 HV160°
Thickness:	0.20mm
Underplate:	50µ" Nickel
Contact Area:	1µ"~50µ" Selective Gold
Solder Tails Area:	100µ" Tin/Lead (Brighten Tin) or 100µ" Tin/Lead Free (Brighten Tin/Matte Tin)
Tolerance:	±0.15mm
Angle Tolerance:	±1.0°
RoHS Compliant	

Date Last Revised: 09-11-07

Available from Mouser Electronics
1-800-346-6873 / www.mouser.com

KC-301176

156-1402-E