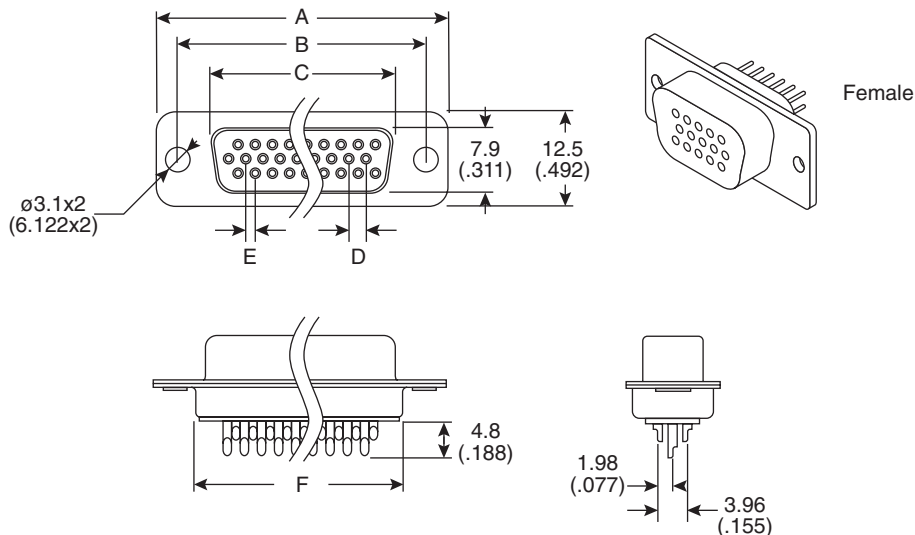


High Density D-Sub Connectors Female

156-1915-E, 156-1926-E



High Density D-Sub Connectors Female



Dimensions: mm (in.)

| Mouser Stock No. | No. of pins | A | B | C | D | E | F |
|------------------|-------------|-------|-------|------|------|------|------|
| 156-1915-E | 15 | 16.30 | 25.00 | 30.8 | 2.29 | 1.14 | 19.2 |
| 156-1926-E | 26 | 24.60 | 33.30 | 39.2 | 2.29 | 1.14 | 27.7 |

SPECIFICATIONS

| | |
|---|--|
| Contact current rating: | 3 amperes |
| Contact resistance: | 15 MΩ Max. @ 500VDC |
| Operating temperature: | -55°C to +105°C |
| Dielectric withstanding voltage: | 1000 VAC/Minute. |
| Insulator | Thermal Plastic |
| Contacts | Copper Alloy |
| Shell | Steel |
| Rivet, Boardlock | Copper Alloy |
| Underplate | 50μ" Nickel |
| Contact Area | 1μ"~30μ" Selective Gold |
| Solder Tails | 100μ" Tin/Lead Free (Brighten Tin/Matte Tin) |
| RoHS Compliant | |

Date Last Revised: 6-29-12

Available from Mouser Electronics
1-800-346-6873 / www.mouser.com

KC- 301145

156-1915-E, 156-1926-E