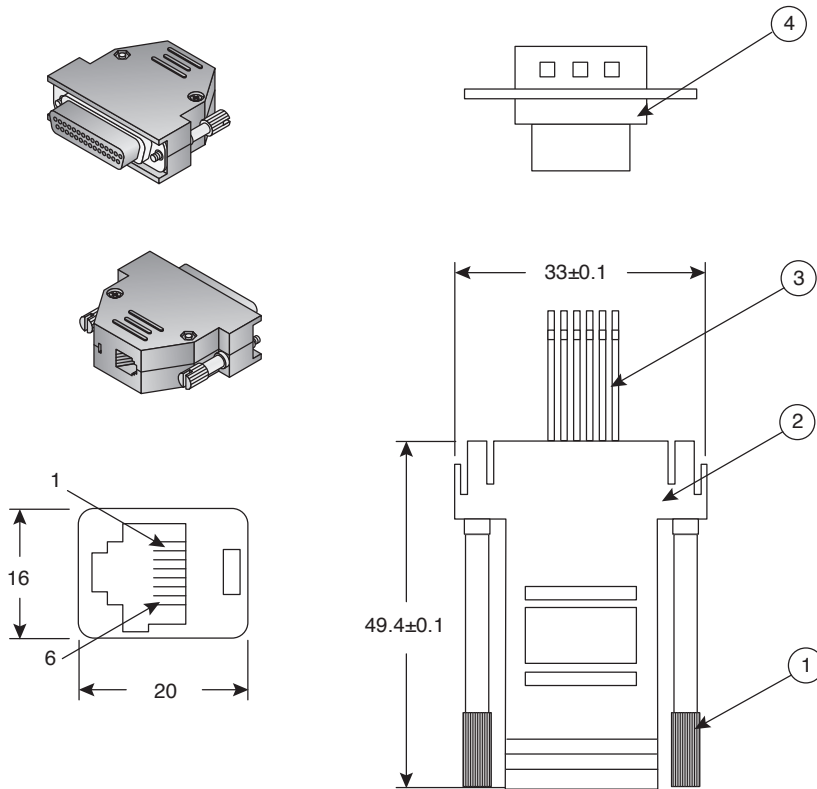


Modular Jack Adapters

154-0966M, 154-0966F, 154-0988M, 154-0988F



Modular Jack Adapters



Dimensions: mm

MATERIALS		
No.	Part Name	Description
1	Screw	4# - 40 L=37 Nickel Plating
2	Housing	ABS Gray 8P
3	Wire	26AWG. 7 strand
4	Connector	DB9M BK

154-0966M, 154-0966F	
Pin	Wire Color
1	White
2	Black
3	Red
4	Green
5	Yellow
6	Blue

154-0988M, 154-0988F	
Pin	Wire Color
1	Blue
2	Orange
3	Black
4	Red
5	Green
6	Yellow
7	Brown
8	White

Date Last Revised: 3-22-16

Available from Mouser Electronics
1-800-346-6873
www.mouser.com

KC-300655

154-0966M, 154-0966F, 154-0988M, 154-0988F