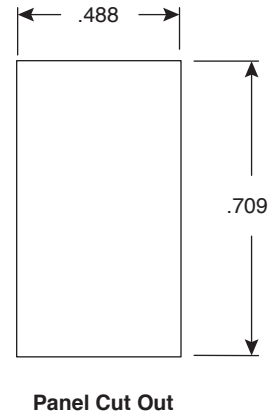
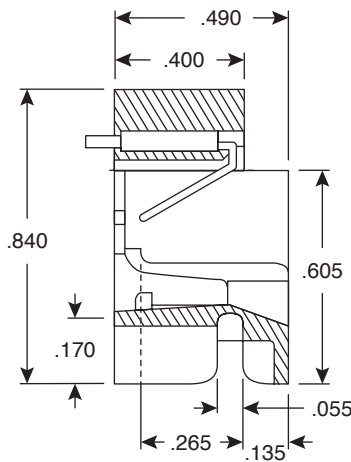
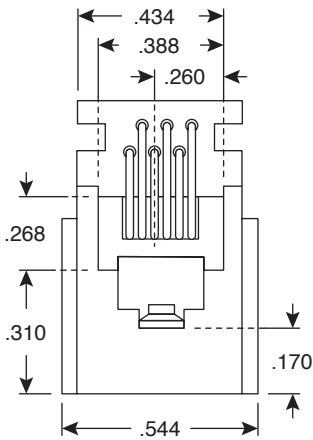
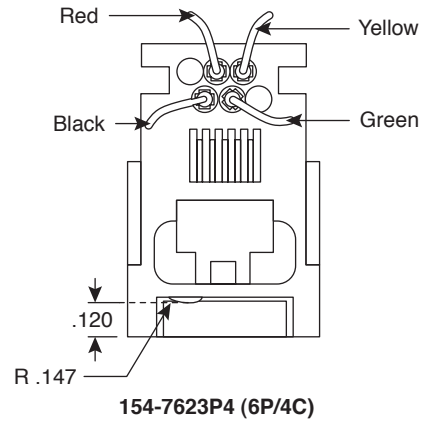
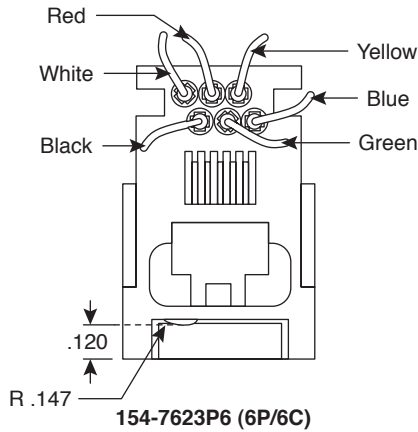
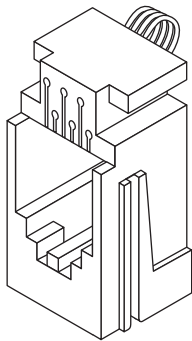


Modular Jacks

154-7623P4, 154-7623P6



Modular Jacks



Dimensions: In.

SPECIFICATIONS	
Type:	Modular Jacks with 4" Leads
Housing:	ABS Resin, Gray
Contact:	ø.45mm (ø.018"), Phosphor Bronze Alloy
Wire:	26AWG, PVC Insulation
Wire O.D.:	1.105mm
Insulation Resistance:	10MΩ min.
Contact Resistance:	20mΩ max.
Dielectric Strength:	1,000Vrms 60Hz
Retention Strength:	7.7kgs Between Jack and Plug
Crimp Tensile Strength:	2.27kgs

Date Last Revised: 10-19-05

Available from Mouser Electronics
1-800-346-6873
www.mouser.com

KC-300614

154-7623P4, 154-7623P6