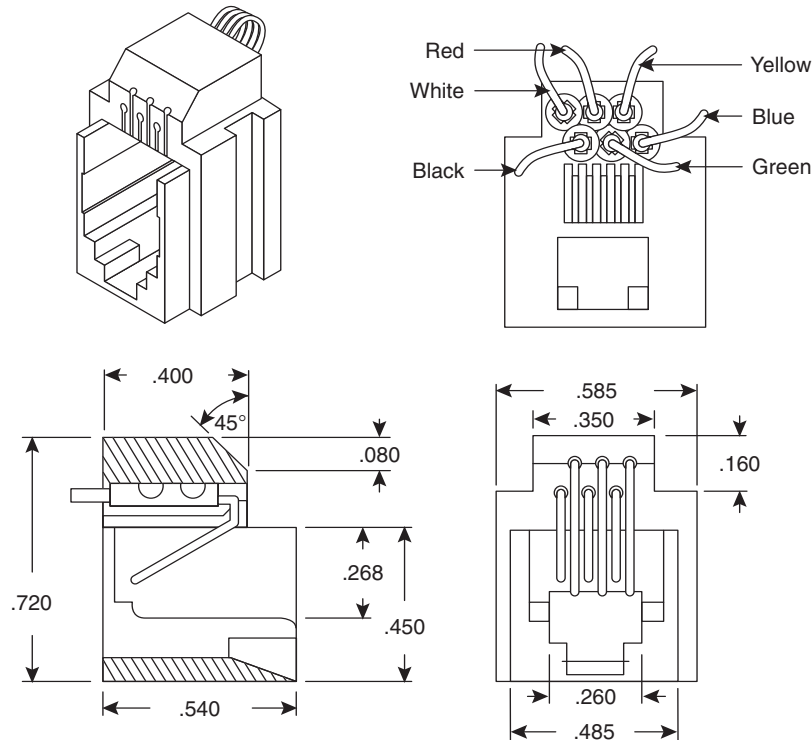


Modular Phone Jacks

154-UL623K4, 154-UL623K6



Modular Phone Jacks



Dimensions: In.

SPECIFICATIONS	
Housing:	ABS Plastic
Contacts:	50μ Gold Over 100μ Nickel Plated, ø.018", Phosphor Bronze Alloy
Leads:	4", 26AWG, PVC Insulated
Insulation Resistance:	≥10MΩ
Dielectric Strength:	1000V, 60Hz
Contact Resistance:	≤20mΩ
Current Rating:	1.5A
Retention:	17lbs. Between Jack and Plug
Crimp Tensile Strength:	4.0 ~ 5.0 lbs.

MOUSER STOCK NO.	Positions/ Contacts	USOC Type	Western Electric Type	Total Mating Force
154-UL623K4	6P/4C	RJ11	623K4	500g
154-UL623K6	6P/6C	RJ12	623K6	750g

Date Last Revised: 4-21-05

Available from Mouser Electronics
1-800-346-6873
www.mouser.com

KC-300612

154-UL623K4, 154-UL623K6