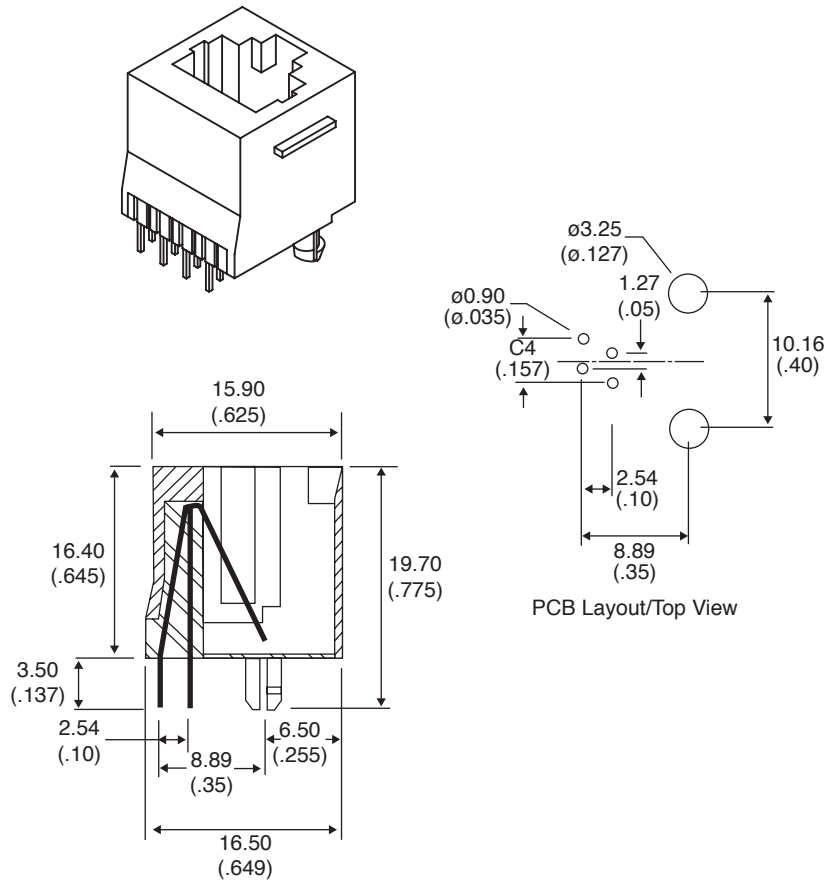


# PCB Modular Jack

154-UL6642



PCB Modular Jack



Dimensions: mm (in.)

SPECIFICATIONS	
Type:	6P4C modular with PCB leads
Current rating:	1.5A
Voltage Rating:	125V
Dielectric withstanding voltage:	1000VAC RMS 60Hz
Contact resistance:	30m $\Omega$ max.
Insulation resistance:	500M $\Omega$ min.
Temperature:	Temperature: -40 to 80°C
Insertion force:	500g
Contact:	.35mm thick gold plated phosphor bronze
Color:	black
Tolerance:	$\pm .006$

Date Last Revised: 4-6-07

Available from Mouser Electronics  
1-800-346-6873 / [www.mouser.com](http://www.mouser.com)

KC- 300621

154-UL6642

Specifications are subject to change without notice. No liability or warranty implied by this information. Environmental compliance based on producer documentation.