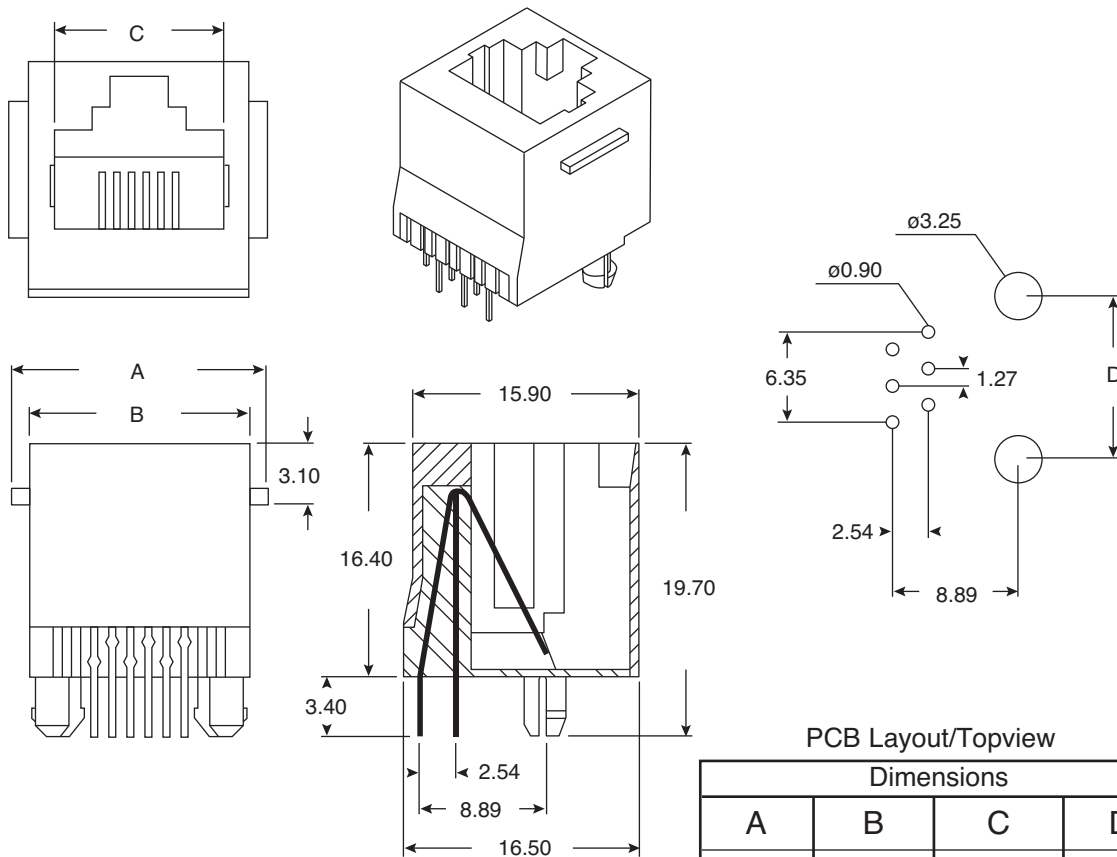


PCB Modular Jack

154-UL6662



PCB Modular Jack



PCB Layout/Topview

Dimensions			
A	B	C	D
15.85	13.45	10.00	10.16

Dimensions: mm
Tolerance: $\pm 0.15\text{mm}$

SPECIFICATIONS	
Type:	6P6C modular PCB leads
Current rating:	125V, 1.5A
Dielectric withstand voltage:	1000VAC 60Hz
Contact resistance:	30m Ω max.
Insulation resistance:	500M Ω min.
Insertion force:	750g
Housing:	15% glass filled PBT, black
Contacts:	.35mm thick gold plated phosphor bronze Gold plated over nickel on contact area. Tin plated over nickel on solder area.
Temp:	-40 to 70°C
Durability:	750 cycles min.

Date Last Revised: 11-24-10

Available from Mouser Electronics
1-800-346-6873 / www.mouser.com

KC- 300622

154-UL6662