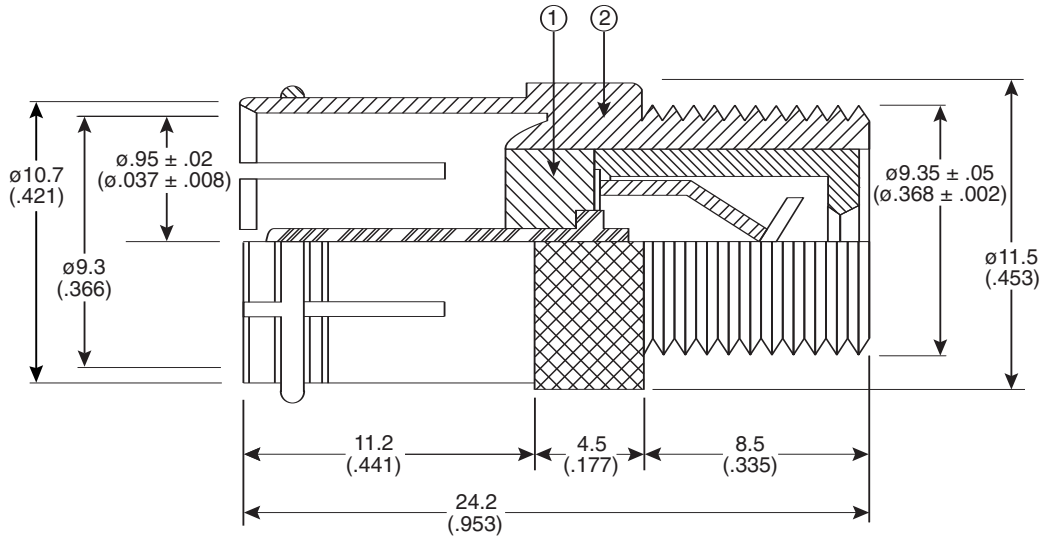


# "F" Jack - Plug Push On

161-5369



"F" Jack - Plug Push On



**DIMENSIONS mm (IN)**

SPECIFICATIONS	
<b>Body:</b>	brass, nickel
<b>Insulator 1:</b>	polypropylene
<b>Insulator 2:</b>	delrin
<b>Center Pin:</b>	brass, tin

Date Last Revised: 4-21-05

Available from Mouser Electronics  
 1-800-346-6873  
[www.mouser.com](http://www.mouser.com)

KC-300600

161-5369