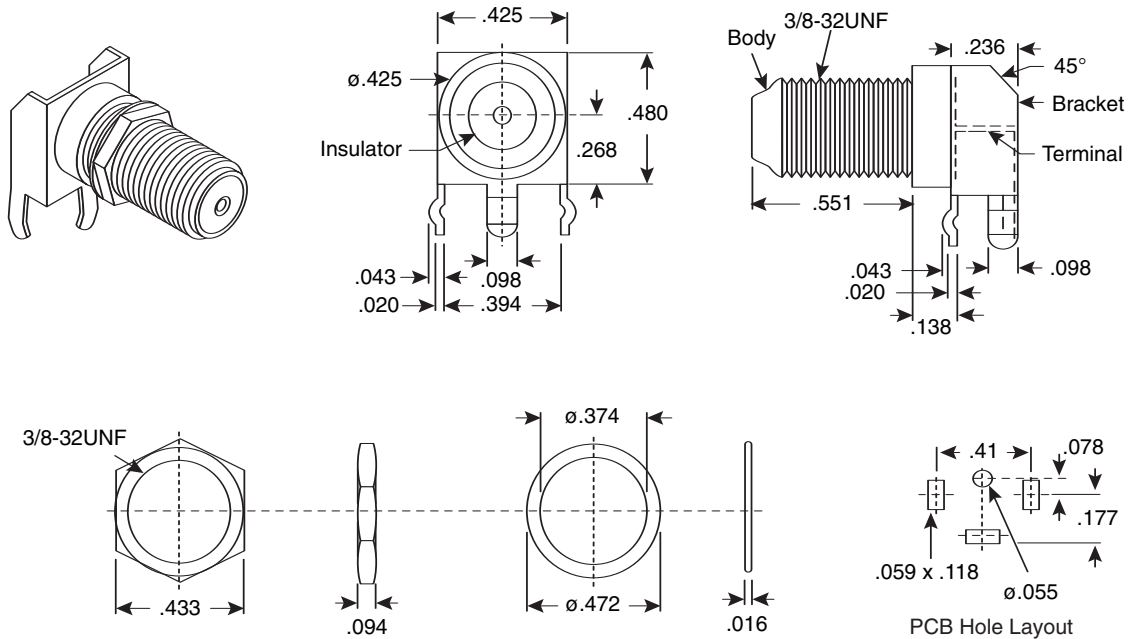


# "F" Right Angle Jack

161-5372

**KOBI**CONN

"F" Right Angle Jack



**DIMENSIONS IN.**

## SPECIFICATIONS

<b>Type:</b>	right angle, panel mount, F receptacle
<b>Voltage:</b>	150VAC max.
<b>Current:</b>	1A
<b>Frequency Range:</b>	1500Mhz
<b>Insulator:</b>	polypropylene
<b>Body, Nut:</b>	nickel plated brass
<b>Terminal:</b>	tin plated brass
<b>Washer:</b>	nickel plated CRS
<b>Bracket:</b>	tin plated CRS

Date Last Revised: 4-21-05

Available from Mouser Electronics  
1-800-346-6873  
www.mouser.com

KC-300598

161-5372