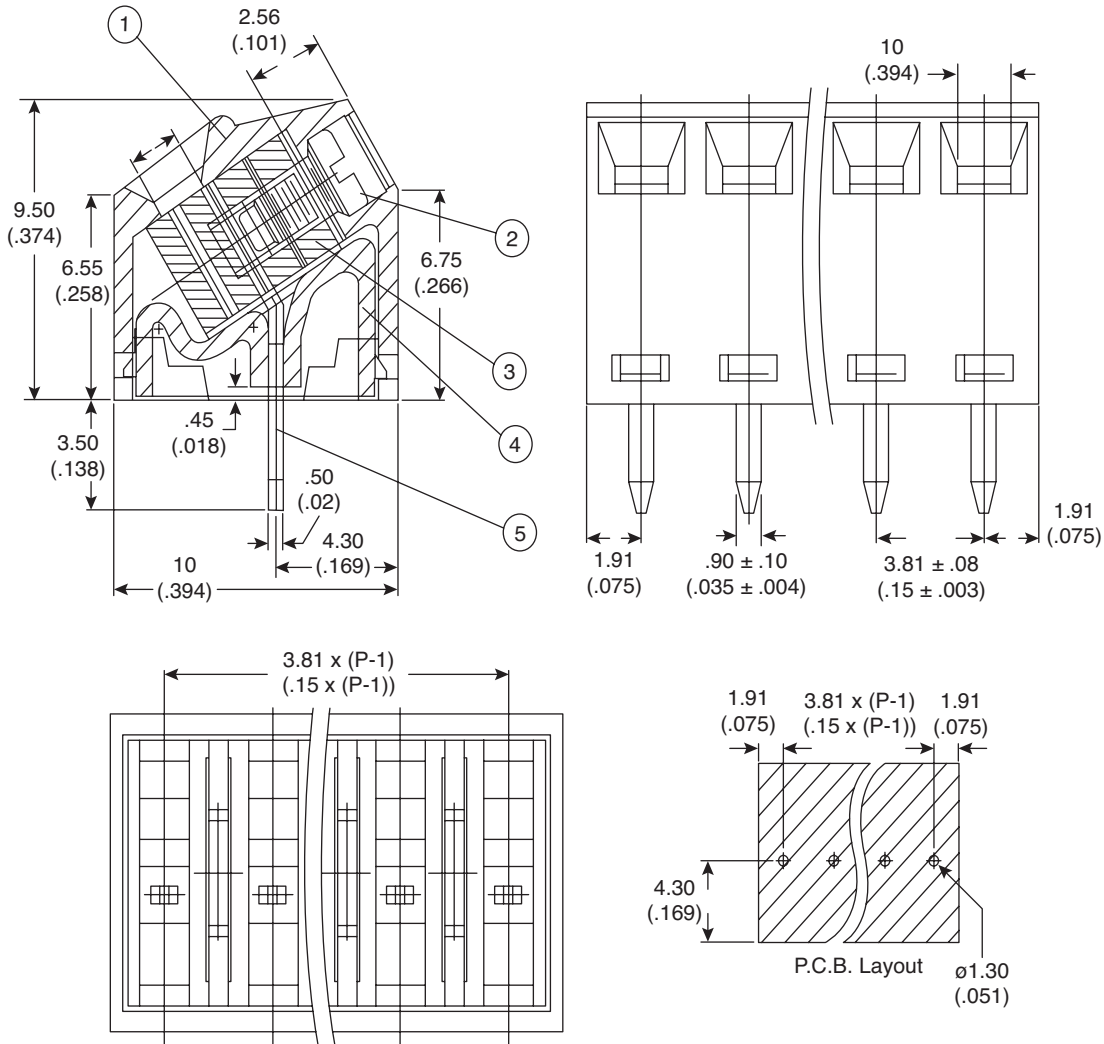


Terminal Blocks

158-P02EK381A2-E, 158-P02EK381A3-E, 158-P02EK381A4-E,
 158-P02EK381A5-E, 158-P02EK381A6-E, 158-P02EK381A7-E,
 158-P02EK381A8-E, 158-P02EK381A9-E, 158-P02EK381A10-E,
 158-P02EK381A11-E, 158-P02EK381A12-E



Terminal Blocks



Dimensions: mm (In.)

ELECTRICAL SPECIFICATIONS

| | |
|---------------------------------------|---------------------------------|
| Rating: | 300V 13.5A |
| Pitch: | 3.81 mm |
| Insulation withstands voltage: | AC 2500 V/Min |
| Insulation resistance: | 500M Ω or more at DC500V |
| Temperature range: | -40°C ~ +105°C |
| Screw torque value: | 0.22 ~ 0.25N.M |
| Electric wire: | 30 ~ 16 AWG |

MATERIAL SPECIFICATIONS

| | |
|-----------------------|---------------------|
| Solder pin: | bronze, tin plated |
| Cover: | PA66, green |
| Wire cage: | steel, M2/Ni plated |
| Screw: | Steel, M2/Zn plated |
| Housing: | PA66, green |
| RoHS Compliant | |

Date Last Revised: 3-7-07

Available from Mouser Electronics
 1-800-346-6873
 www.mouser.com

KC- 301118

158-P02EK381A-E Series