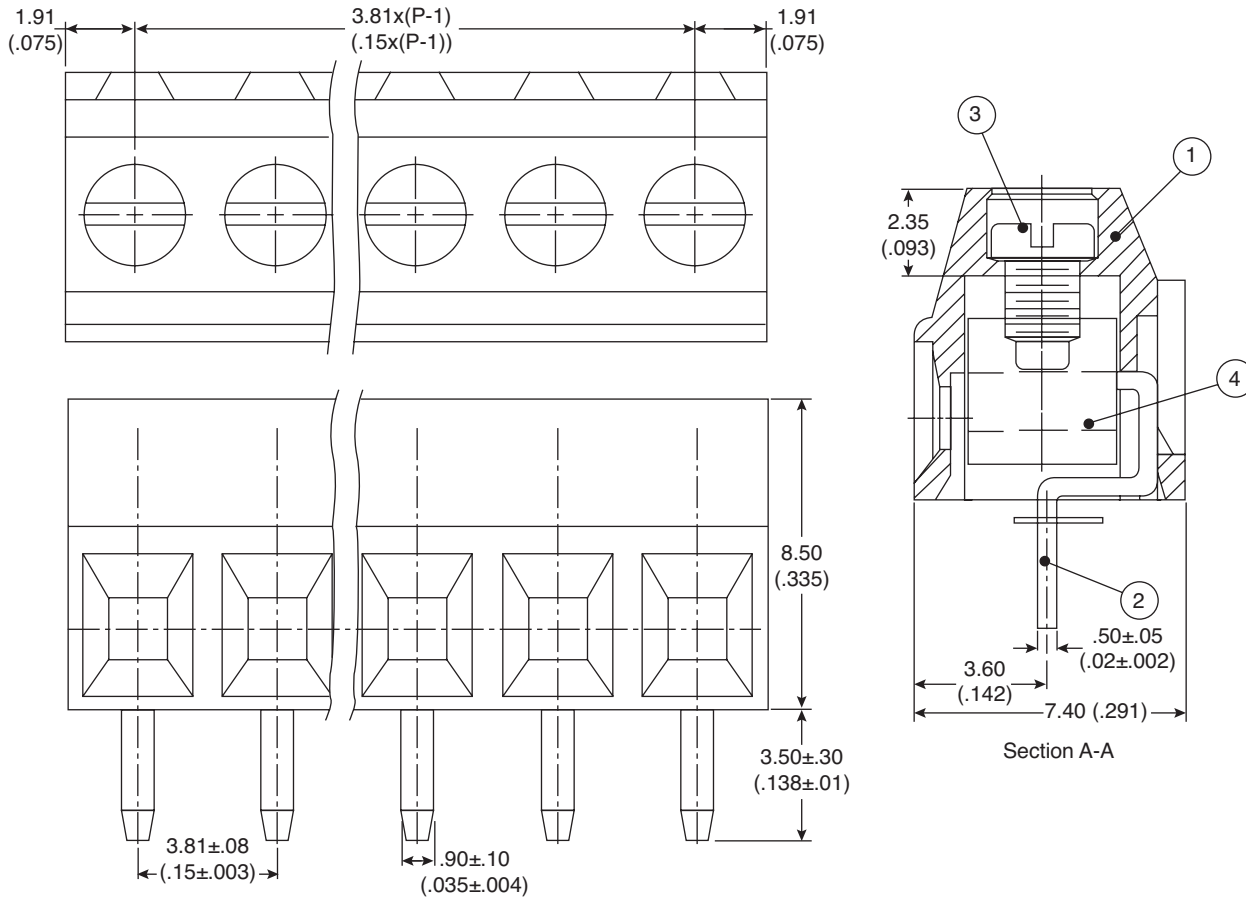


# Terminal Blocks

158-P02EK381V2-E, 158-P02EK381V3-E, 158-P02EK381V4-E, 158-P02EK381V5-E,  
158-P02EK381V6-E, 158-P02EK381V7-E, 158-P02EK381V8-E, 158-P02EK381V9-E,  
158-P02EK381V10-E, 158-P02EK381V11-E, 158-P02EK381V12-E

# KOBI CONN

Terminal Blocks



Dimensions: mm (in.)

## SPECIFICATIONS

<b>Rating:</b>	300V 12A
<b>PITCH:</b>	3.81mm
<b>Insulation withstands voltage:</b>	AC 1500V/Min
<b>Insulation resistance:</b>	500MΩ or more at DC500V
<b>Temperature range:</b>	-40°C~+105°C
<b>Screw torque value:</b>	2kgf-cm
<b>Electric wire:</b>	AWG 16~22

## MATERIAL SPECIFICATIONS

<b>Wire cage (4):</b>	brass M2/Ni plated
<b>Screw (3):</b>	steel M2/Zn plated
<b>Solder pin (2):</b>	copper tin plated
<b>Housing (1):</b>	PA66 green
RoHS Compliant	

Date Last Revised: 3-7-07

Available from Mouser Electronics  
1-800-346-6873 / [www.mouser.com](http://www.mouser.com)

KC-300992

Specifications are subject to change without notice. No liability or warranty implied by this information. Environmental compliance based on producer documentation.

158-P02EK381V2-E, 158-P02EK381V3-E, 158-P02EK381V4-E, 158-P02EK381V5-E,  
158-P02EK381V6-E, 158-P02EK381V7-E, 158-P02EK381V8-E, 158-P02EK381V9-E,  
158-P02EK381V10-E, 158-P02EK381V11-E, 158-P02EK381V12-E