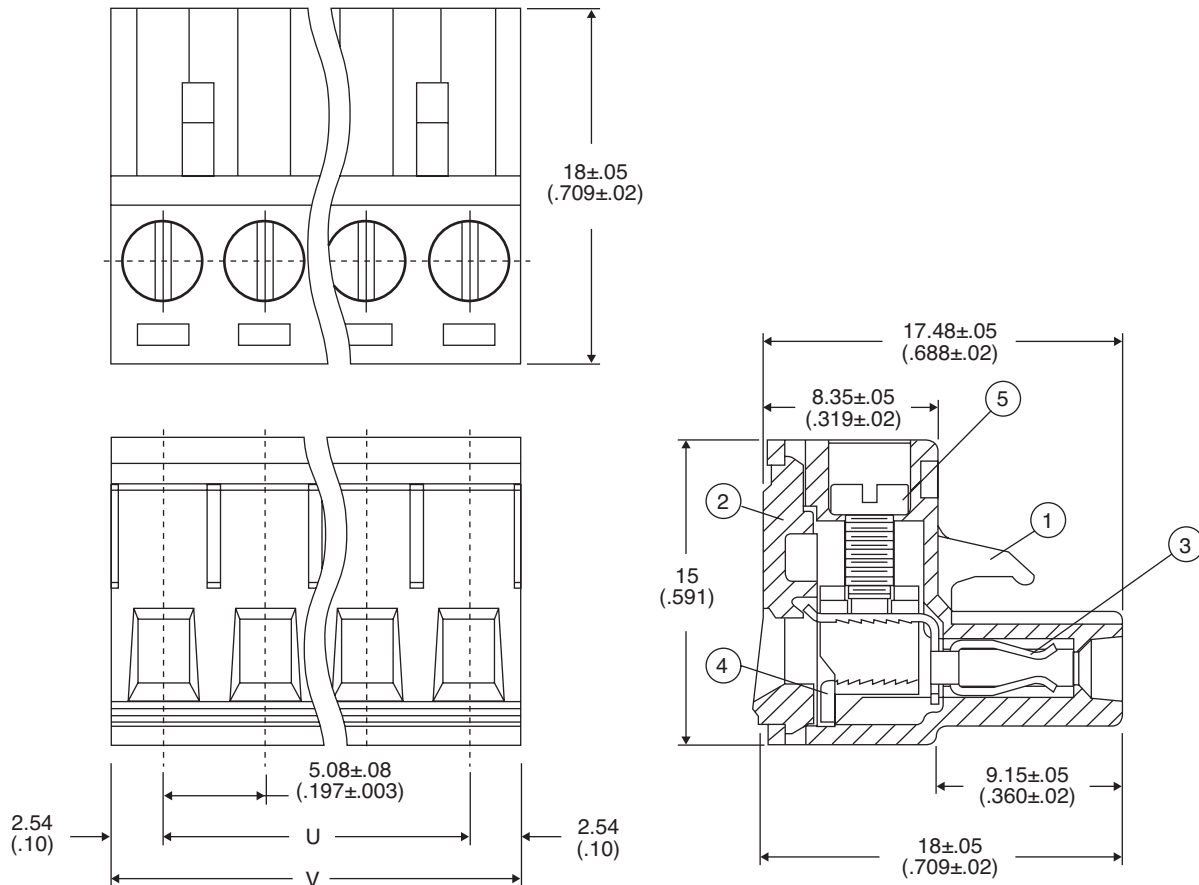


Terminal Block Plugs

158-P022ESDVP-E, 158-P032ESDVP-E, 158-P042ESDVP-E, 158-P052ESDVP-E,
158-P062ESDVP-E, 158-P072ESDVP-E, 158-P082ESDVP-E, 158-P092ESDVP-E,
158-P102ESDVP-E, 158-P112ESDVP-E, 158-P122ESDVP-E



Terminal Block Plugs



Dimensions: mm (in.)

| P | 02P | 03P | 04P | 05P | 06P | 07P | 08P | 09P | 10P | 11P | 12P |
|------|-------|-------|-------|-------|-------|-------|-------|-------|-------|-------|-------|
| U mm | 5.08 | 10.06 | 15.24 | 20.32 | 25.40 | 30.48 | 35.58 | 40.64 | 45.72 | 50.80 | 55.88 |
| V mm | 10.16 | 15.24 | 20.32 | 25.40 | 30.48 | 35.56 | 40.64 | 45.72 | 50.80 | 55.88 | 60.16 |

| ELECTRICAL SPECIFICATIONS | |
|--------------------------------|-------------------------|
| Rating: | 300V 15A |
| Pitch: | 5.08 mm |
| Insulation withstands voltage: | AC 1500V/Min |
| Insulation resistance: | 500MΩ or more at DC500V |
| Temperature range: | -40°C~ +105°C |
| Screw torque value: | 5kg - cm |
| Electric wire: | 28 ~ 12 AWG |

| MATERIAL SPECIFICATIONS | |
|-------------------------|--------------------------------|
| Screw (5): | Steel, M2.5 Zinc Plated |
| Wire cage (4): | Steel, Zinc Plated |
| Clamp (3): | Phosphor Bronze, Solder Plated |
| Cover (2): | PA66, Green |
| Housing (1): | PA66, Green |
| RoHS Compliant | |

158-P022ESDVP-E, 158-P032ESDVP-E, 158-P042ESDVP-E, 158-P052ESDVP-E,
158-P062ESDVP-E, 158-P072ESDVP-E, 158-P082ESDVP-E, 158-P092ESDVP-E,
158-P102ESDVP-E, 158-P112ESDVP-E, 158-P122ESDVP-E

Date Last Revised: 3-7-07

Available from Mouser Electronics
1-800-346-6873 / www.mouser.com

KC-301124

Specifications are subject to change without notice. No liability or warranty implied by this information. Environmental compliance based on producer documentation.