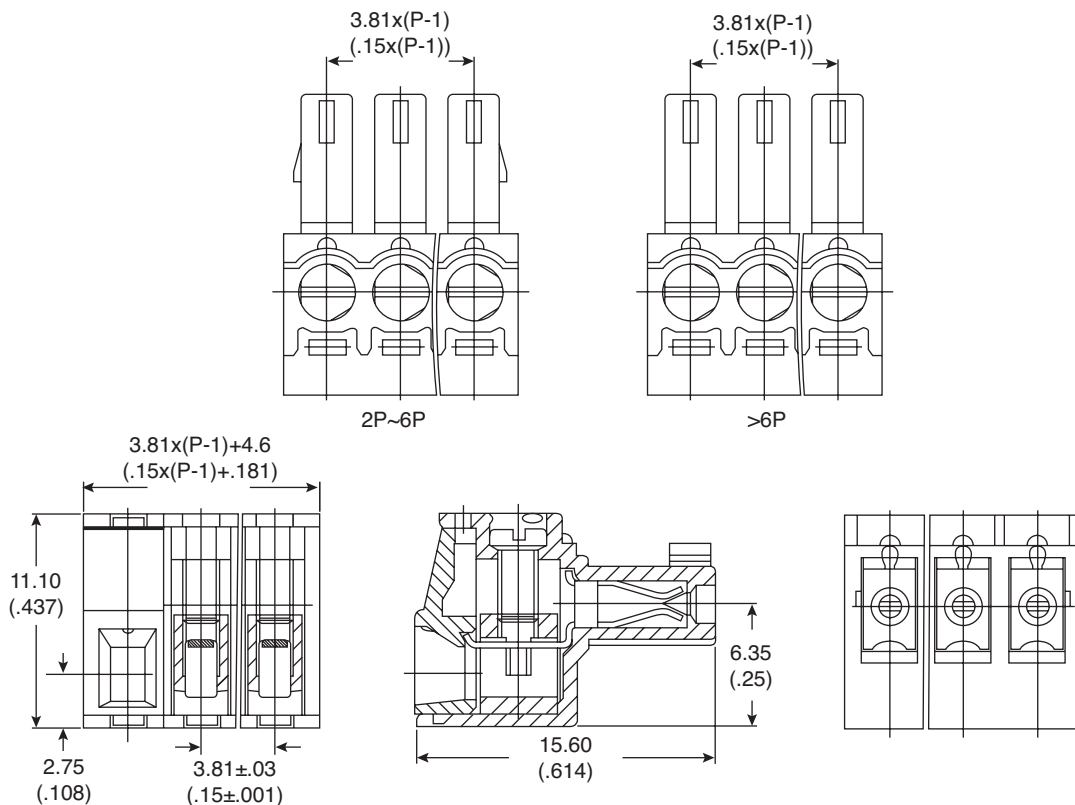


Terminal Block Plugs



158-P02EC381VP-E, 158-P03EC381VP-E, 158-P04EC381VP-E, 158-P05EC381VP-E,
 158-P06EC381VP-E, 158-P07EC381VP-E, 158-P08EC381VP-E, 158-P09EC381VP-E,
 158-P10EC381VP-E, 158-P11EC381VP-E, 158-P12EC381VP-E

Terminal Block Plugs



Dimensions: mm (in.)

ELECTRICAL SPECIFICATIONS	
Rating:	300V 8A
Pitch:	3.81 mm
Insulation withstands voltage:	AC 1000V/Min
Insulation resistance:	1000MΩ or more at DC500V
Temperature range:	-40°C~ +120°C
Screw torque value:	2kg-cm(MAX)
Electric wire:	22~16 AWG

MATERIAL SPECIFICATIONS	
Clamp:	bronze
Screw1:	steel, M2/Zn plated
End cover:	PBT, green
Wire cage:	hard brass M2/Ni plated
Housing:	PBT, green
RoHS Compliant	

Date Last Revised: 3-7-07

Available from Mouser Electronics
 1-800-346-6873 / www.mouser.com

KC-301018

Specifications are subject to change without notice. No liability or warranty implied by this information. Environmental compliance based on producer documentation.

158-P02EC381VP-E, 158-P03EC381VP-E, 158-P04EC381VP-E, 158-P05EC381VP-E,
 158-P06EC381VP-E, 158-P07EC381VP-E, 158-P08EC381VP-E, 158-P09EC381VP-E,
 158-P10EC381VP-E, 158-P11EC381VP-E, 158-P12EC381VP-E