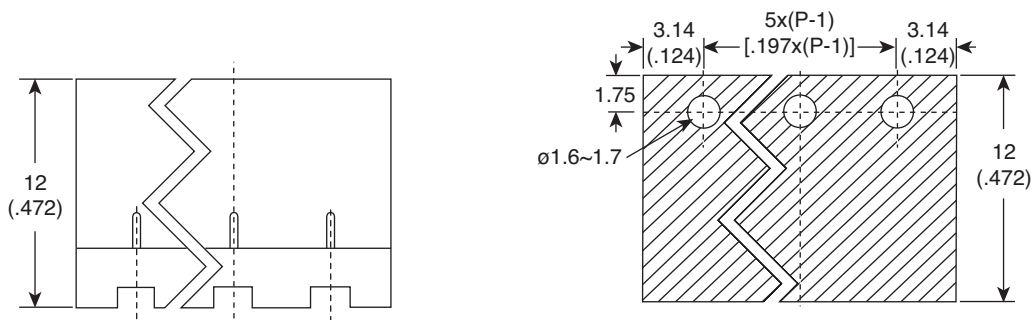


Terminal Block Headers

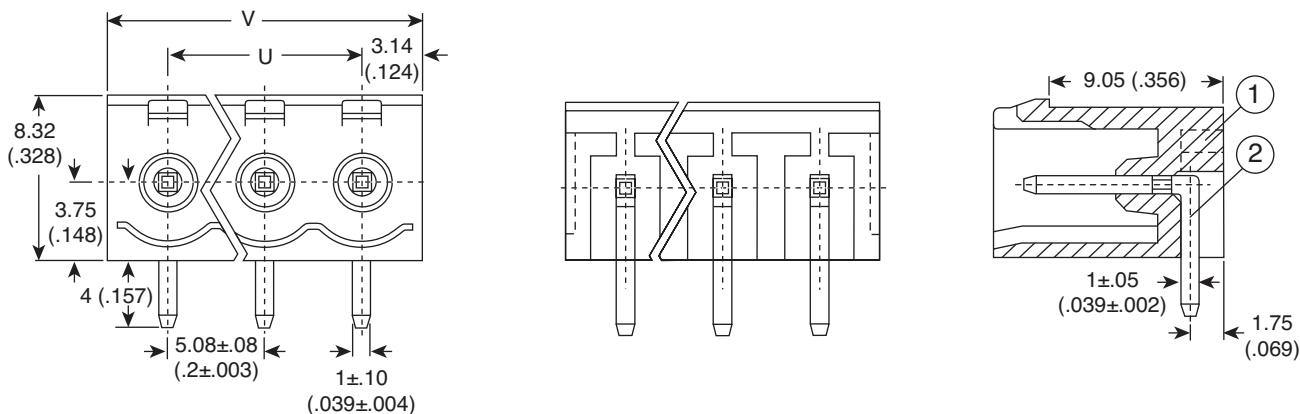
158-P022EHDRCH-E, 158-P032EHDRCH-E, 158-P042EHDRCH-E, 158-P052EHDRCH-E,
158-P062EHDRCH-E, 158-P072EHDRCH-E, 158-P082EHDRCH-E, 158-P092EHDRCH-E,
158-P102EHDRCH-E, 158-P112EHDRCH-E, 158-P122EHDRCH-E



Terminal Block Headers



P.C.B. LAYOUT (REF)



Dimensions: mm (in.)

P	02P	03P	04P	05P	06P	07P	08P	09P	10P	11P	12P
U (mm)	5.08	10.16	15.24	20.32	25.40	30.48	35.55	40.64	45.72	50.80	55.88
V (mm)	11.38	16.44	21.52	26.6	31.68	36.76	41.84	46.92	52.0	57.08	62.16

MATERIALS	
Solder Pin:	Tin plated copper
Housing:	PA66 green
RoHS Compliant	

ELECTRICAL SPECIFICATIONS	
Rating:	300V/15A 5mm pitch
Insulation Resistance:	500MΩ or more @ 500VDC
Insulation Withstand Voltage:	1500VAC min.
Using Temperature Range:	1A @ 10VDC

Date Last Revised: 03/08/07

Available from Mouser Electronics
1-800-346-6873 / www.mouser.com

KC-301130

Specifications are subject to change without notice. No liability or warranty implied by this information. Environmental compliance based on producer documentation.

158-P022EHDRCH-E, 158-P032EHDRCH-E, 158-P042EHDRCH-E, 158-P052EHDRCH-E,
158-P062EHDRCH-E, 158-P072EHDRCH-E, 158-P082EHDRCH-E, 158-P092EHDRCH-E,
158-P102EHDRCH-E, 158-P112EHDRCH-E, 158-P122EHDRCH-E