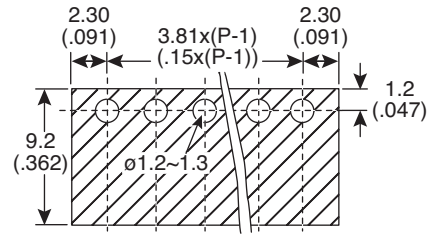
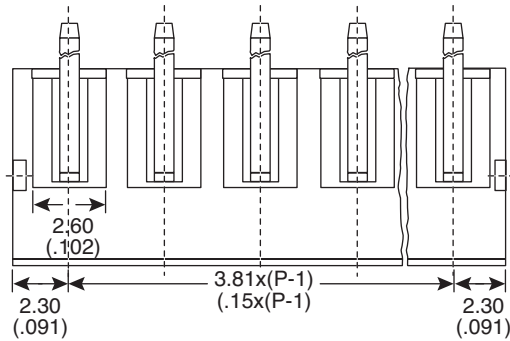


# Terminal Blocks

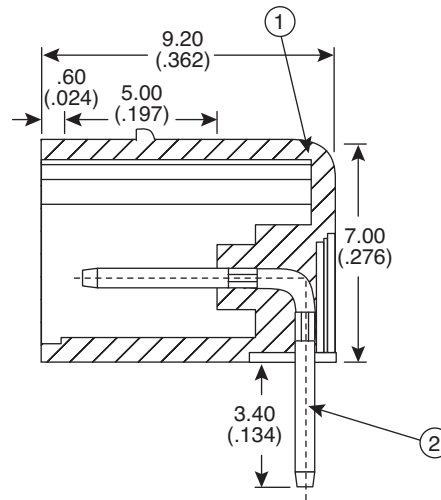
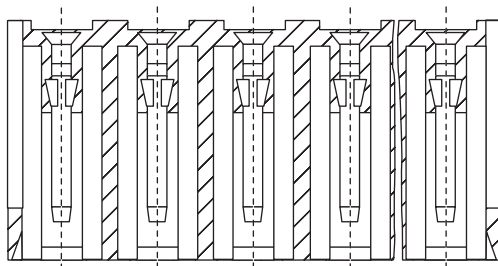
158-P02ECH381RH-E, 158-P03ECH381RH-E, 158-P04ECH381RH-E,  
 158-P05ECH381RH-E, 158-P06ECH381RH-E, 158-P07ECH381RH-E,  
 158-P08ECH381RH-E, 158-P09ECH381RH-E, 158-P10ECH381RH-E,  
 158-P11ECH381RH-E, 158-P12ECH381RH-E

# KOBI CONN

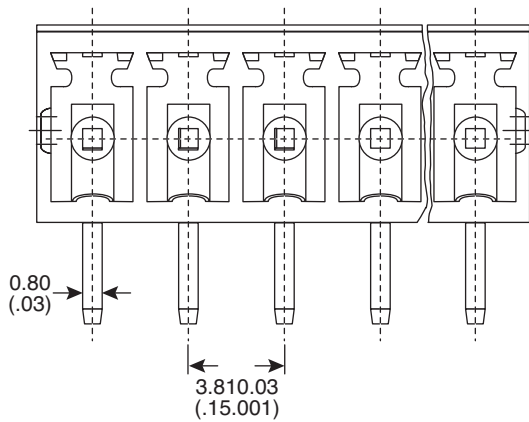
Terminal Blocks



P.C.B. LAYOUT



SECTION A-A



Dimensions: mm (in.)

## MATERIAL SPECIFICATIONS

|                |             |                    |
|----------------|-------------|--------------------|
| 2              | Solder pin: | Copper, Tin plated |
| 1              | Housing:    | PBT, Green         |
| RoHS Compliant |             |                    |

## SPECIFICATIONS

|                               |                  |
|-------------------------------|------------------|
| Rating:                       | 300V 8A          |
| Pitch:                        | 3.81mm           |
| Insulation withstand voltage: | AC 1000 V/min.   |
| Insulation resistance:        | 1000MΩ at 500VDC |
| Temperature range:            | -40°C ~ +130°C   |

Date Last Revised: 3-7-07

Available from Mouser Electronics  
 1-800-346-6873 / www.mouser.com

KC-301017

Specifications are subject to change without notice. No liability or warranty implied by this information. Environmental compliance based on producer documentation.

158-P02ECH381RH-E, 158-P03ECH381RH-E, 158-P04ECH381RH-E, 158-P05ECH381RH-E,  
 158-P06ECH381RH-E, 158-P07ECH381RH-E, 158-P08ECH381RH-E, 158-P09ECH381RH-E,  
 158-P10ECH381RH-E, 158-P11ECH381RH-E, 158-P12ECH381RH-E