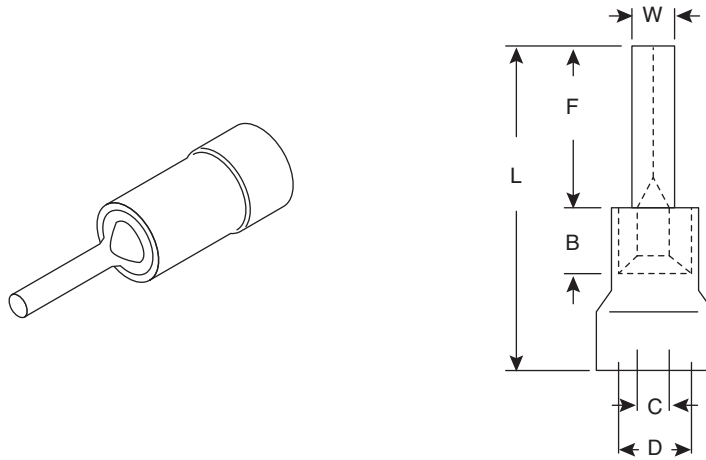


Pin Terminals

159-2213, 159-1617, 159-1211



Pin Terminals



Dimensions: In.

SPECIFICATIONS	
Type:	vinyl insulated
Material:	copper

MouserStock No.	Color	Wire Size (AWG)	Material Thickness	Dimensions (IN)					
				B	C	D	F	L	W
159-2213	Red	22~16	.032	.189	.067	.130	.414	.795	.074
159-1617	Blue	16~14	.032	.189	.091	.158	.414	.795	.074
159-1211	Yellow	12~10	.039	.268	.134	.217	.504	.969	.110

Date Last Revised: 6/21/12

Available from Mouser Electronics
 1-800-346-6873
www.mouser.com

KC-300025

159-2213, 159-1617, 159-1211