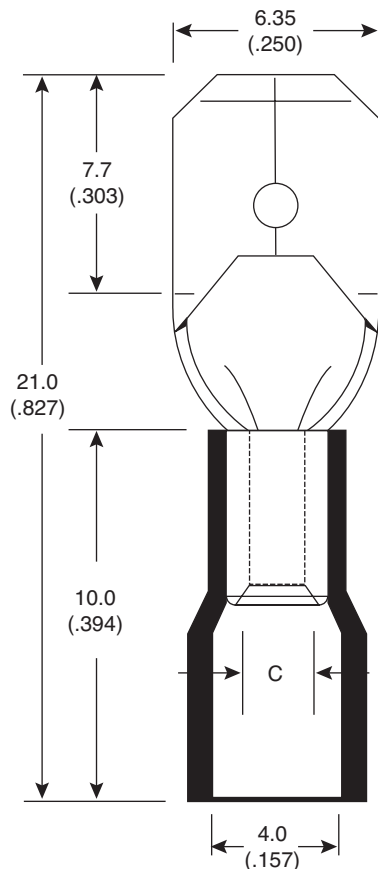


# Male Disconnect

159-2250



Male Disconnect



Dimensions: mm (IN)

SPECIFICATIONS	
Max Electric Current:	22-16 A.W.G.: 10 AMPERE
Max Electrical Rating:	75°C 300 volts max.
Insulation Material:	Vinyl
Terminal Material:	Brass
Insulation Color:	22-16 A.W.G.: red
Terminal Barrel I.D.:	22-16 A.W.G.: C=1.7mm
Thickness:	.032mm

Date Last Revised: 6/21/12

159-2250

Available from Mouser Electronics  
 1-800-346-6873  
[www.mouser.com](http://www.mouser.com)

KC-300103