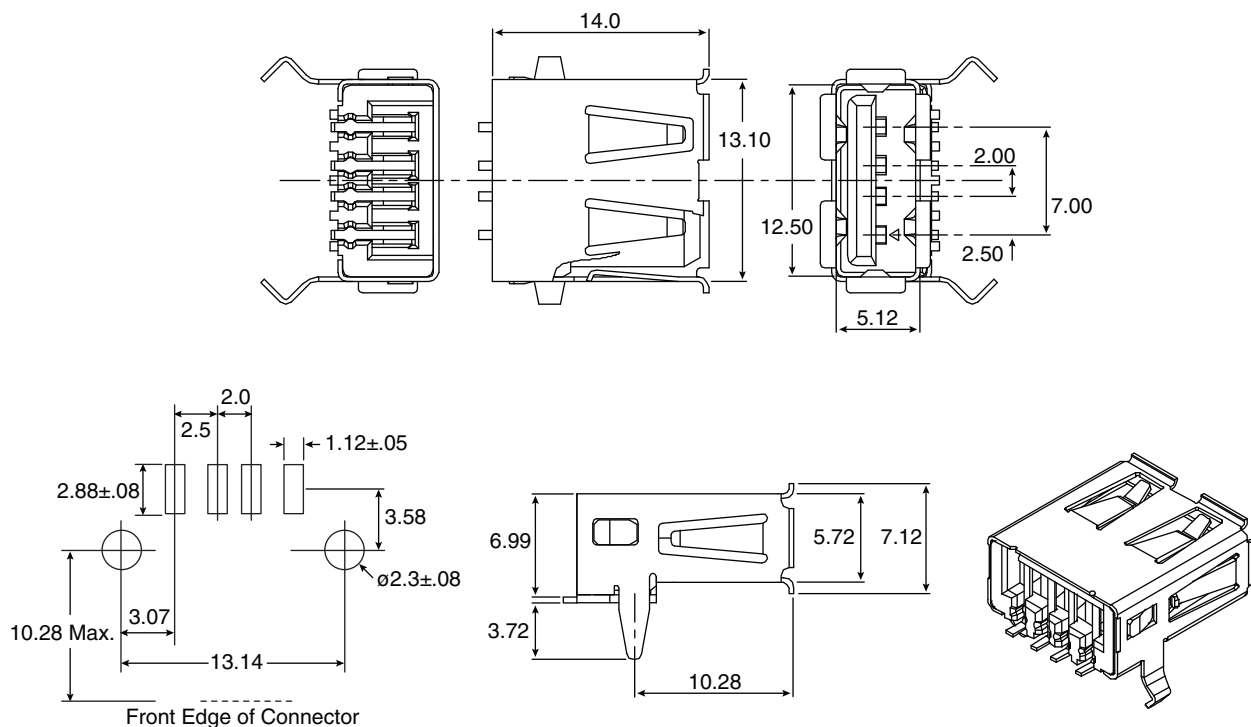


USB Connector A Type Receptacle Right Angle Single Deck (SMT)

154-UAR42-E

KOBICONN

USB Connector A Type Receptacle Right Angle Single Deck (SMT)



Dimensions: mm

Electrical Specifications

Contact Resistance:	30 milliohms max.
Dielectric w/standing Voltage:	750 VAC
Insulator Resistance:	1,000 Megaohms min.
Current Rating:	1.0 Ampere max. @ 30°C
Durability:	1500 Cycles
Temperature Range:	-55°C to +85°C
Voltage:	30 VAC

SPECIFICATIONS

Part Name	Item	Qty.	Material
Contacts:	3	4	Copper Alloy/Selective Gold Plating: 2 - A μ 5 μ " ; 5 - A μ 30 μ "
Housing:	2	1	Thermoplastic, Glass filled, 240°C
Shell:	1	1	Copper Alloy/ Tin-Lead Plated over Copper
RoHS Compliant			

Date Last Revised: 6/3/10

Available from Mouser Electronics
1-800-346-6873 / www.mouser.com

KC-301006

Specifications are subject to change without notice. No liability or warranty implied by this information. Environmental compliance based on producer documentation.

154-UAR42-E