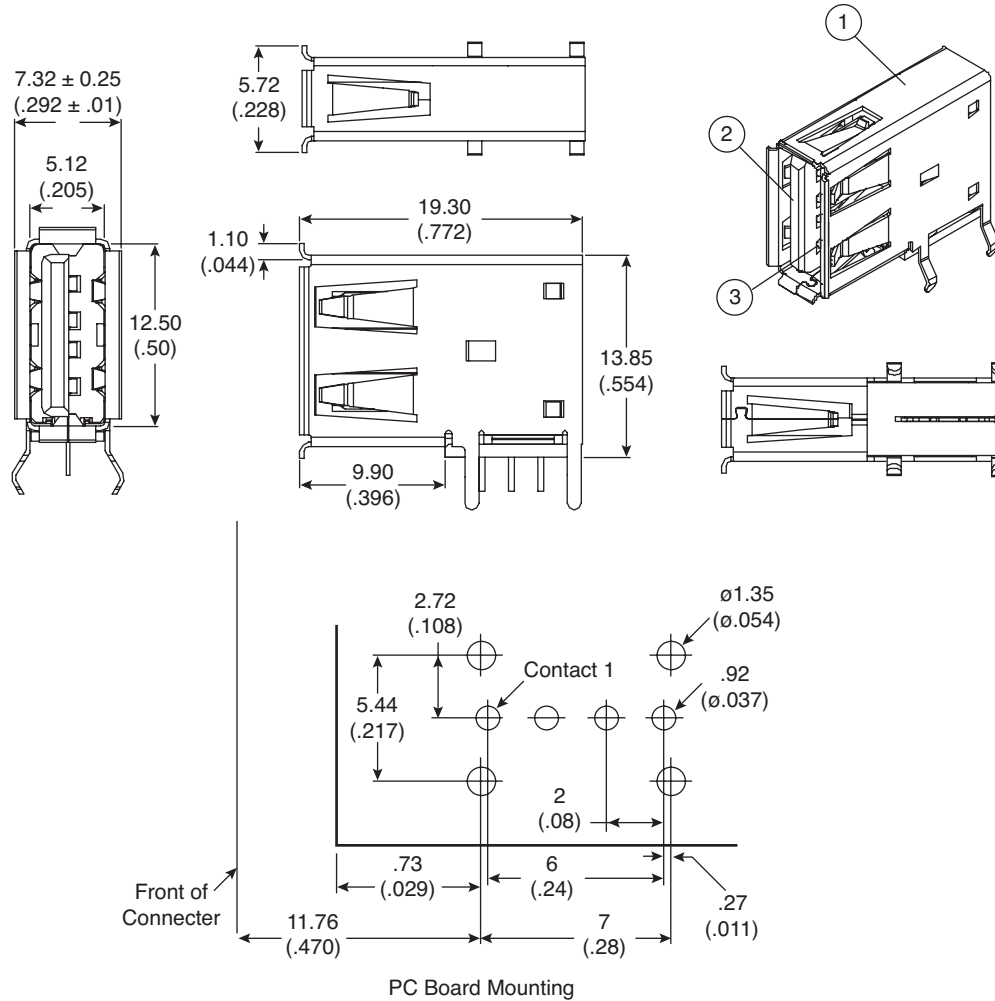


# USB Connector Type A Receptacle, Up-right & Single Deck Thru-hole

**KOBI**CONN

154-UAR80-E

USB Connector Type A Receptacle, Up-right & Single Deck Thru-hole



Dimensions: mm (In.)

Specifications	
<b>Voltage:</b>	30 VAC
<b>Current:</b>	1.5 Ampere max. per contact at 30°C
<b>Temperature:</b>	-55°C to +85°C
<b>Plating of Contact:</b>	2: 5μ" golding
	5: 30μ" golding
	6: 2μ" min Aμ/ 3Dμ" min.
<b>Contact:</b>	Copper alloy/ selective gold plating
<b>Housing:</b>	Thermoplastic, glass filled
<b>Shell:</b>	Copper alloy/ plated
RoHS Compliant	

Electrical Specifications	
<b>Contact Resistance:</b>	30 milliohms maximum initial
<b>Insulation Resistance:</b>	1,000 megohms minimum
<b>Dielectric Withstanding Voltage:</b>	500 VAC at sea level

Date Last Revised: 10-14-05

Available from Mouser Electronics  
1-800-346-6873  
www.mouser.com

KC-301003

154-UAR80-E