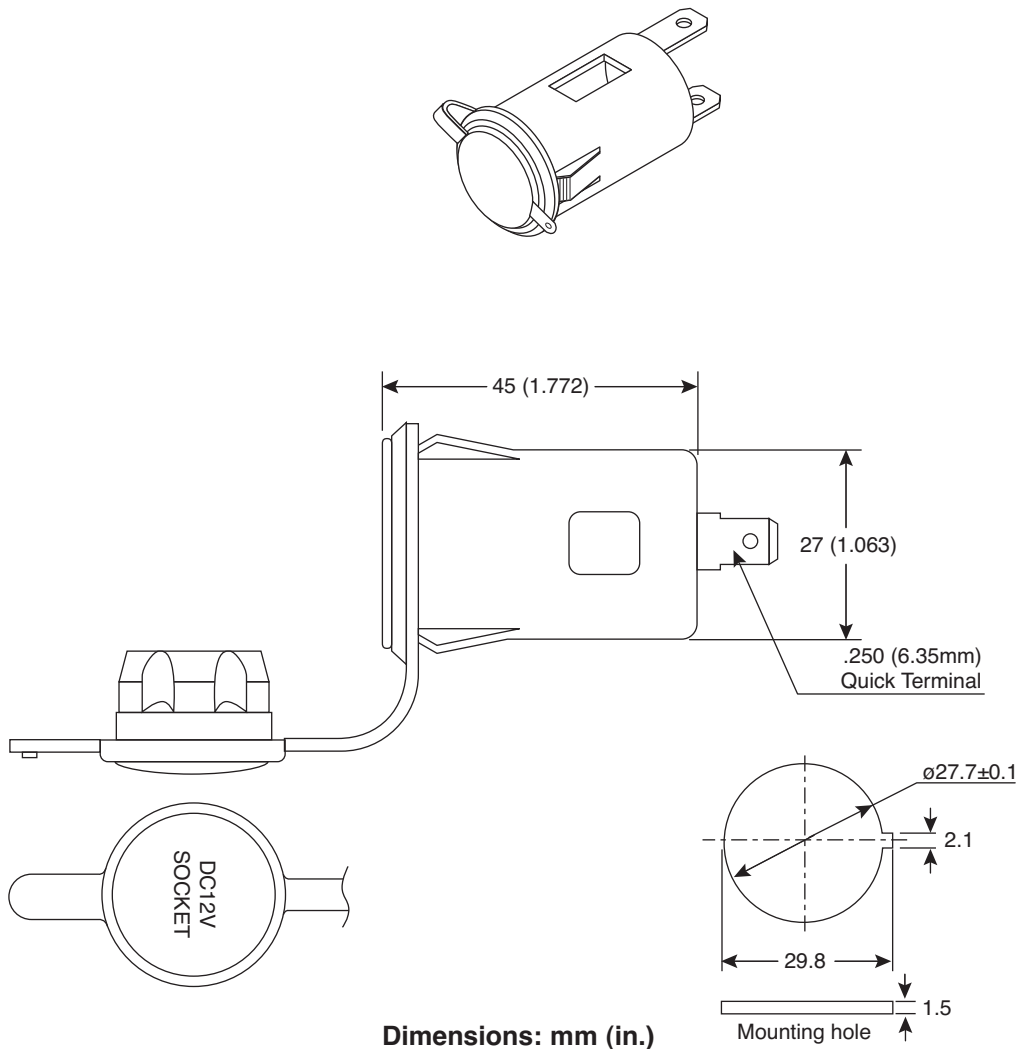


12 VDC Socket

161-1365-E

KOBI CONN

12 VDC Socket



SPECIFICATIONS

Rating:	12VDC 10A max.
Contact resistance:	50m Ω max.
Insulation resistance:	100M Ω min. @ 500VDC
Dielectric strength:	1500VAC for 1 minute
Operation temperature:	-20° ~ 65°C
Terminals:	Brass nickel plated
Base:	Nylon 66
Dust Cover:	PVC

Date Last Revised: 11-22-10

Available from Mouser Electronics
1-800-346-6873
www.mouser.com

KC-301067

161-1365-E