

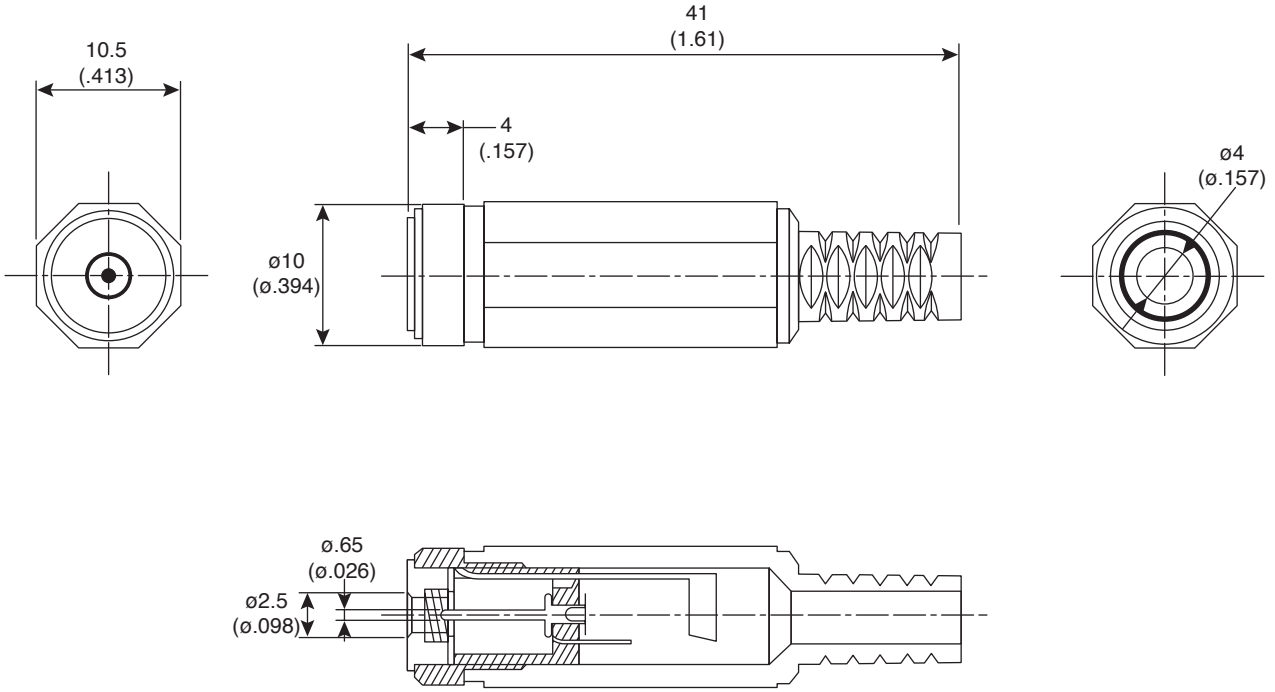
DC Power Jack

163-0307-E



DC Power Jack

163-0307-E



DIMENSIONS: mm (IN)

SPECIFICATIONS	
Rating:	3.15VDC 2A
Breakdown Voltage:	500VAC for 1 minute
Insulation Resistance:	100M Ω min. @ 500VDC
Contacts:	Nickel Plated Brass
Body:	PA
RoHS Compliant	

Date Last Revised: 12-12-05

Available from Mouser Electronics
 1-800-346-6873
 www.mouser.com

KC-300838