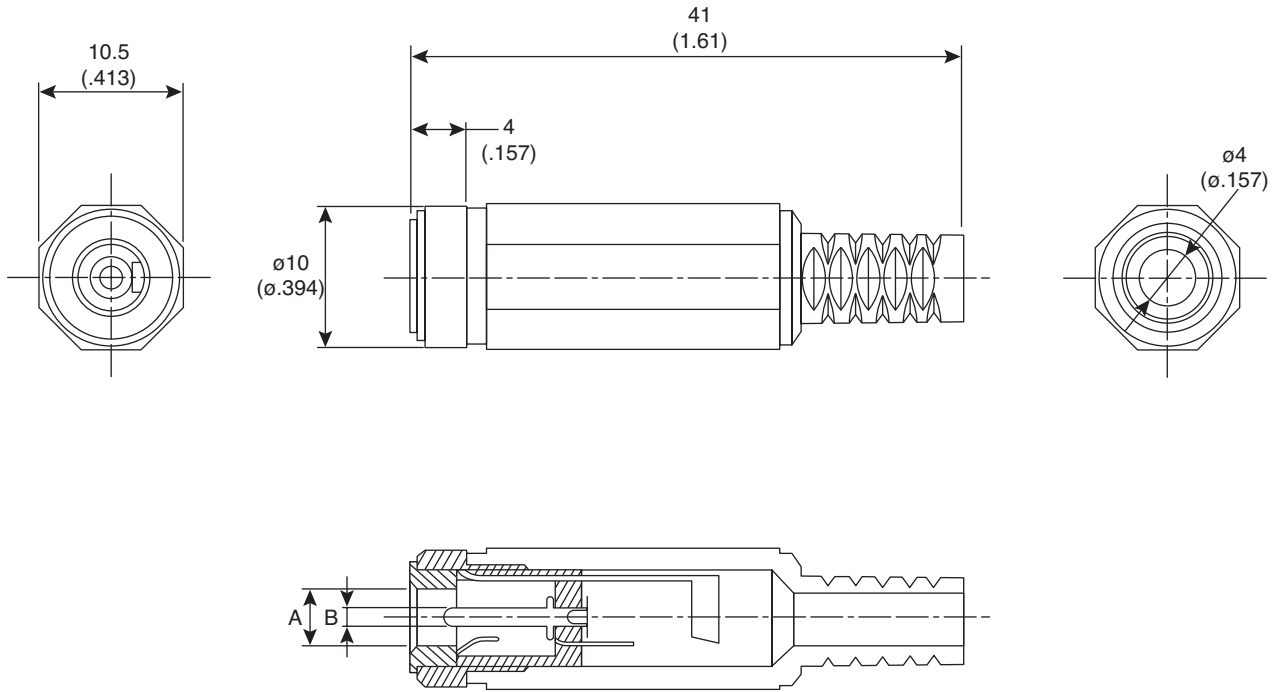


DC Power Jack

163-0309-EX, 163-0308-EX



DC Power Jack



DIMENSIONS: mm (in.)

Mouser Stock No.	A	B
163-0308-EX	$\phi 4$	$\phi 1.3$
163-0309-EX	$\phi 3.6$	$\phi 1.3$

SPECIFICATIONS	
Rating:	12VDC .5A
Breakdown Voltage:	500VAC for 1 minute
Insulation Resistance:	100M Ω min. @ 500VDC
Contact:	Nickel Plated Copper
Terminals:	Nickel Plated Brass
Body:	PA
RoHS Compliant by Exemption	

Date Last Revised: 02-28-08

Available from Mouser Electronics
1-800-346-6873 / www.mouser.com

KC-300841

Specifications are subject to change without notice. No liability or warranty implied by this information. Environmental compliance based on producer documentation.

163-0309-EX, 163-0308-EX