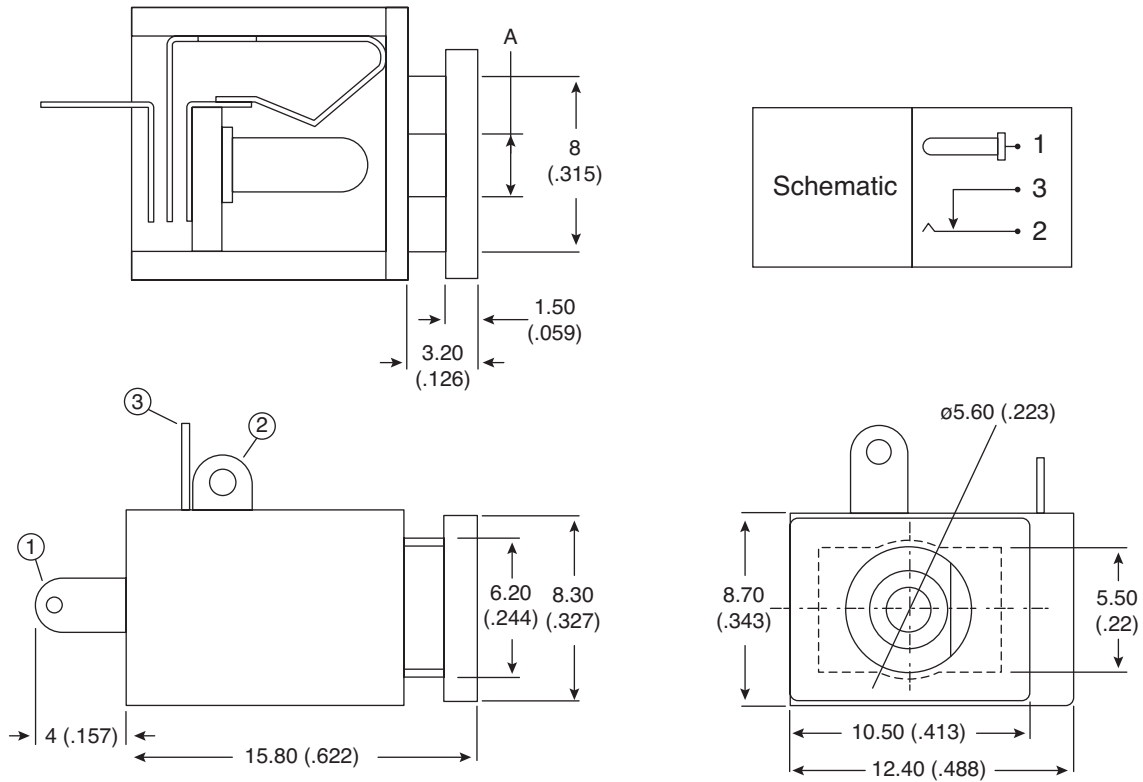


# DC Power Jacks

163-2111-E, 163-2531-E

**KOBI**CONN

DC Power Jacks



## DIMENSIONS: mm (in.)

SPECIFICATIONS	
<b>Housing:</b>	POM Black
<b>Terminals:</b>	Phosphor bronze silver plated
<b>Pin:</b>	Copper nickel plated
<b>Rating:</b>	16VDC 2A
<b>Dielectric Strength:</b>	500VAC for 1 min.
<b>Insulation Resistance:</b>	100M ohm minimum
<b>Contact Resistance:</b>	30m ohms max
<b>Dimension "A":</b>	2.0mm 163-2111-E 2.5mm 163-2531-E
RoHS Compliant	

Date Last Revised: 6-22-07

Available from Mouser Electronics  
1-800-346-6873 / [www.mouser.com](http://www.mouser.com)

KC-301092

Specifications are subject to change without notice. No liability or warranty implied by this information. Environmental compliance based on producer documentation.

163-2111-E, 163-2531-E