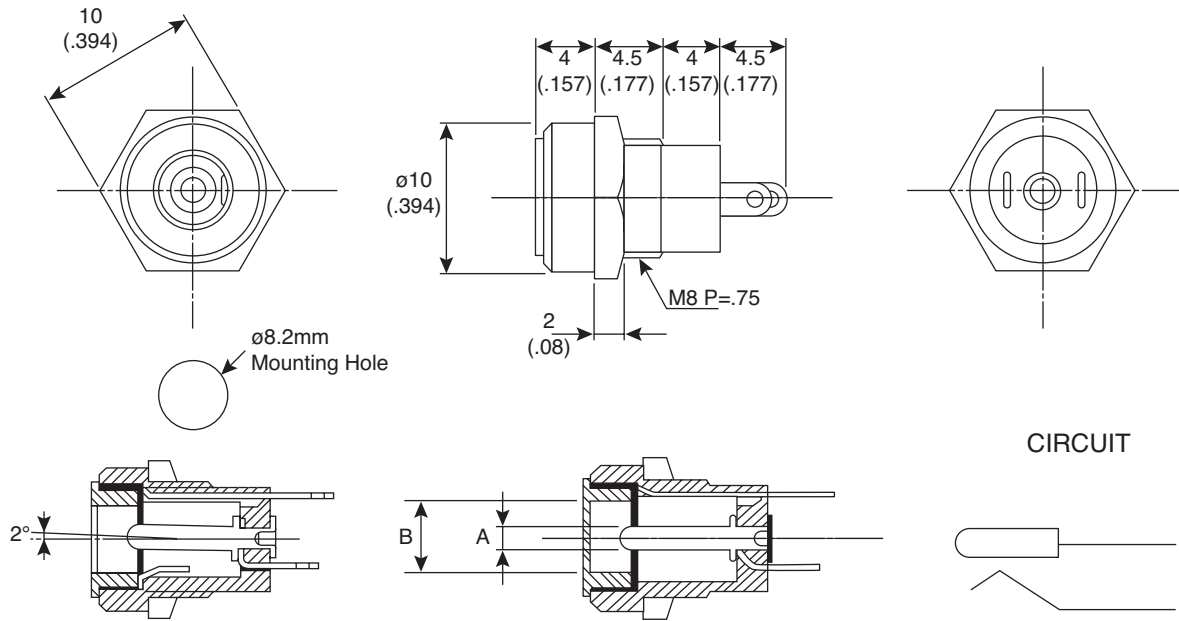


DC Power Jacks

163-4007-EX, 163-4012-EX, 163-4015-EX,
163-4018-EX, 163-4118-EX



DC Power Jacks 163-4007-EX, 163-4012-EX, 163-4015-EX, 163-4018-EX, 163-4118-EX



DIMENSIONS: mm (IN)

SPECIFICATIONS	
Rating:	163-4007-EX= 3.15VDC 2A 163-4012-EX= 12VDC 0.5A 163-4015-EX= 12VDC 0.5A 163-4018-EX= 6.3VDC 2A 163-4118-EX= 10.5VDC 2A
Withstand Voltage:	500VAC for 1 minute
Insulation Resistance:	500VDC / 100MΩ min.
Terminals:	Nickel Plated Brass
Body:	PA
RoHS Compliant by Exemption	

Special Note
Offset pin is designed to maintain pressure between plug and jack

MOUSER STOCK NO.	A (mm)	B (mm)
163-4007-EX	ø0.65	ø2.5
163-4018-EX	ø1.65	ø4.4
163-4118-EX	ø1.65	ø5
163-4015-EX	ø1.3	ø3.6
163-4012-EX	ø1.3	ø4.0

Date Last Revised: 9-19-06

Available from Mouser Electronics
1-800-346-6873
www.mouser.com

KC-300849