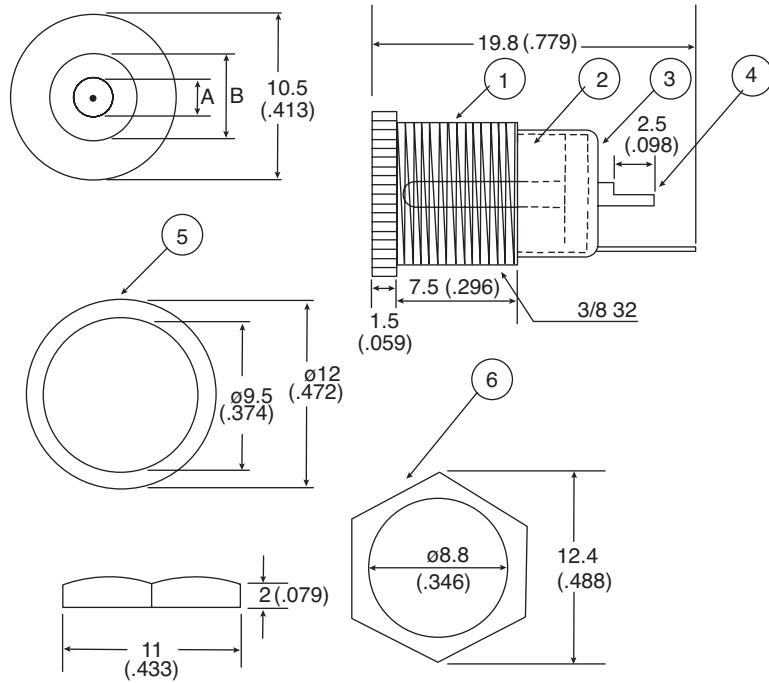


Panel Mount DC Jack

163-4020, 163-4024



Panel Mount DC Jack



Dimensions: mm (In.)

Component	Material
1 Body:	BSBM Ni
2 Spring Material:	BSBM Ni
3 Insulator:	Derlin
4 Contact Pin:	BSBM Ni
5 Spring Washer:	Fe Ni
6 Nut:	BSBM Ni

SPECIFICATIONS	
Tolerance:	±0.05
Cap:	ABS
Voltage Rating:	DC 13.5V
Current Rating:	2A

Part No.	A	B	Type
163-4020	1.95 (.077)	5.5 (.217)	2.1mm
163-4024	2.35 (0.93)	5.5 (.217)	2.5mm

Date Last Revised: 11-21-06

Available from Mouser Electronics
1-800-346-6873
www.mouser.com

KC-300072

163-4020, 163-4024