

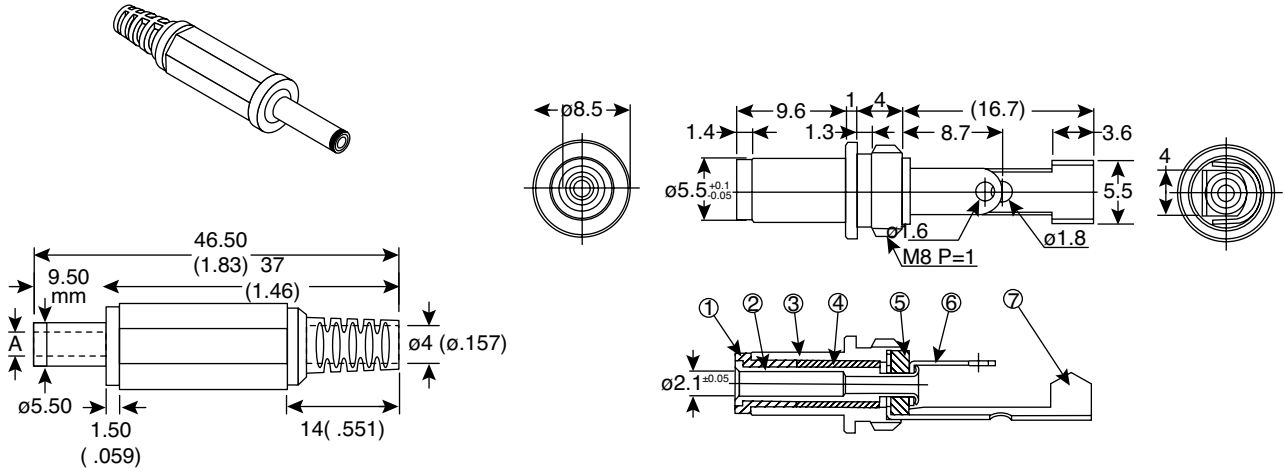
Plugs

171-3217-EX, 171-0702-EX



Plugs

171-3217-EX, 171-0702-EX



OD (flat to flat): .413 In.
OD (ridge to ridge): .443 In.

LET	PART NAME	MATERIAL	QTY	FINISH
1	Insulator A	POM	1	
2	Center Contact	BSBM	1	Ni
3	Sleeve Metal	BSBM	1	Ni
4	Insulator B	PVC	1	
5	Insulator C	PF	1	
6	Center Terminal	Steel t=0.4	1	Ni
7	Sleeve Terminal	Steel t=0.4	1	Ni

Dimensions: mm (in.)
(except where noted)

SPECIFICATIONS	
Type:	DC power w/strain relief
Rating:	12VDC .5A (171-3217-EX), 12VDC 1A (171-0702-EX)
Contact Resistance:	50m Ω max.
Insulator Resistance:	100M Ω min. @ 500VDC
Dielectric Strength:	500VAC for 1 minute
A:	$\phi 2.1 + .05 - .03 \times 9.5$ mm (171-3217-EX) $\phi 2.5 + .05 \times 9.5$ mm (171-0702-EX)
Sleeve, Contacts, Terminals:	nickel plated brass
Tip Insulator:	ebonite
Terminal Insulator:	bakelite
Cap:	polyethylene
Max Wire:	22 AWG
RoHS Compliant by Exemption	

Date Last Revised: 7-21-11

Available from Mouser Electronics
1-800-346-6873 / www.mouser.com

KC-300896

Specifications are subject to change without notice. No liability or warranty implied by this information. Environmental compliance based on producer documentation.