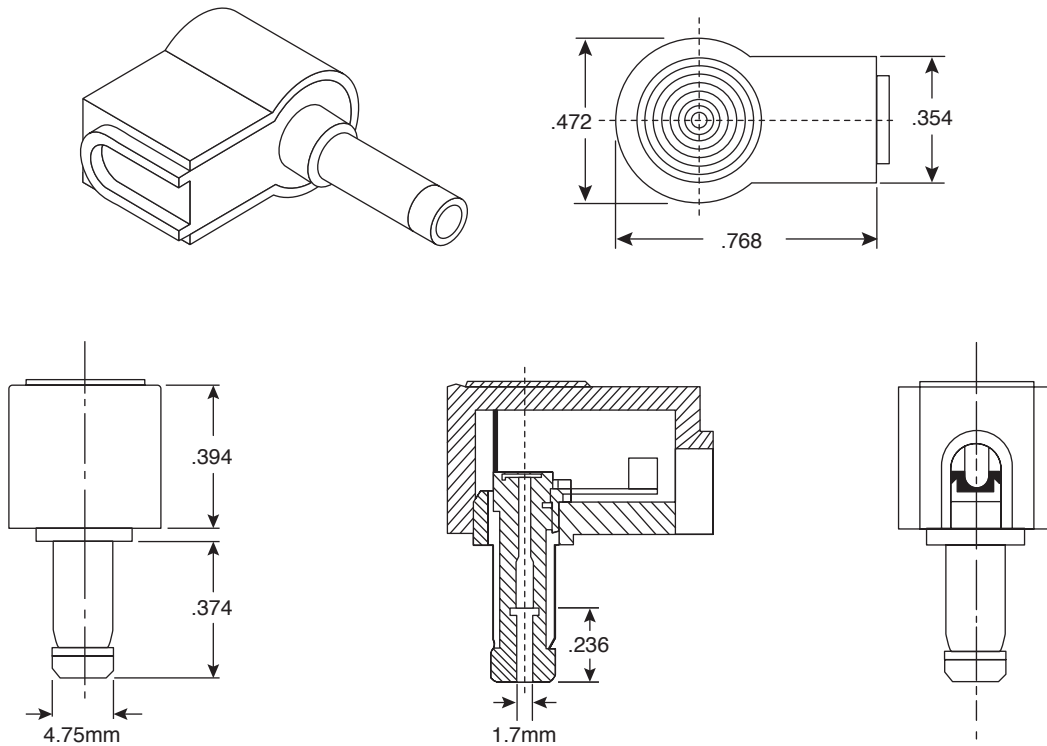


1.7mm DC Power Plug (R/A)

171-3222-EX



1.7mm DC Power Plug (R/A)



Dimensions: In.
(except where noted)

SPECIFICATIONS	
Type:	right angle 1.7mm DC power solder terminal
Color:	black with white tip
Sleeve terminals:	nickel plated brass
Insulator A:	poly acetal
Insulator B:	polycarbonate
Cap:	polypropylene
RoHS Compliant by Exemption	

Date Last Revised: 12-9-05

Available from Mouser Electronics
1-800-346-6873
www.mouser.com

KC-300912

171-3222-EX