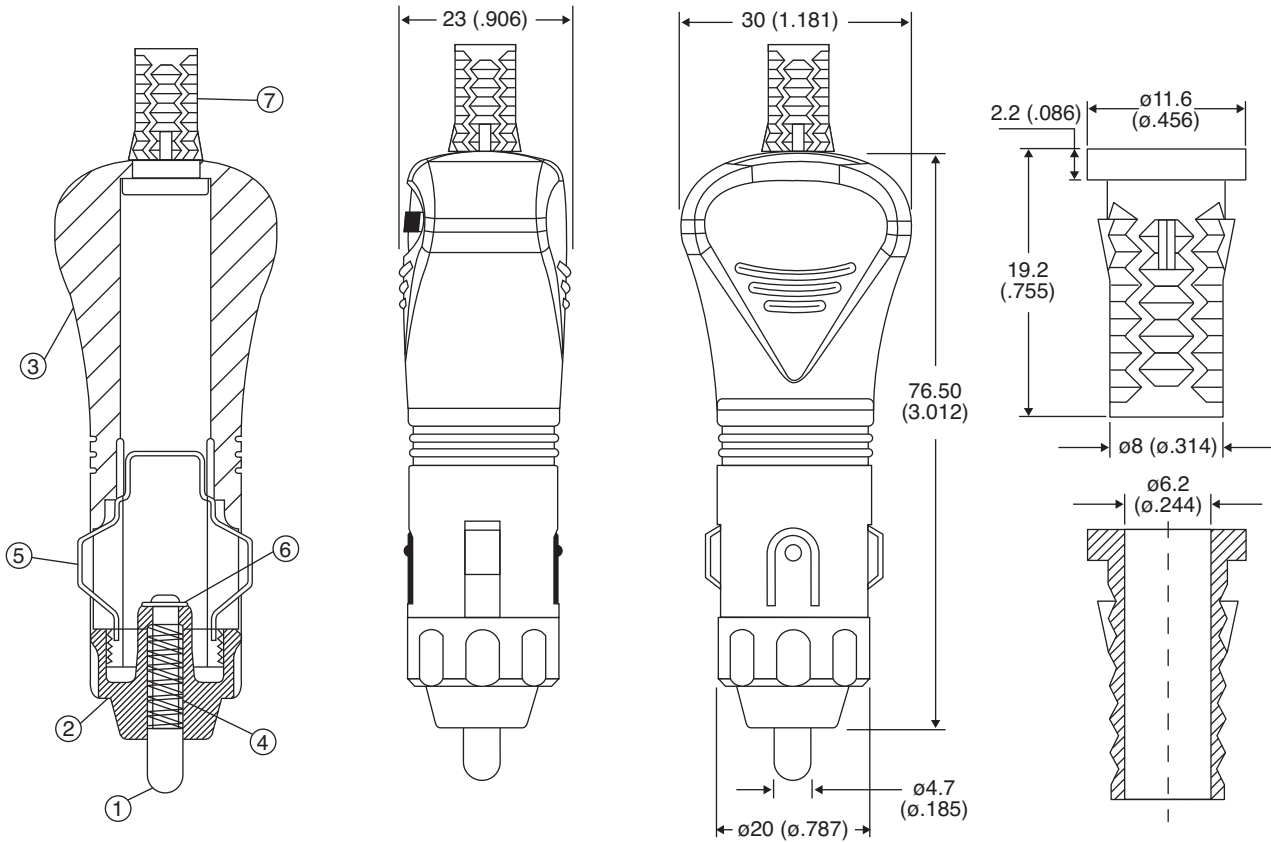


12VDC Plug

171-A1378-EX

KOBICONN

12VDC Plug



Dimensions: mm (in.)

No Fuse Needed

ELECTRICAL SPECIFICATIONS

Rating:	15A/12VDC
Insulation Resistance:	500VDC 100MΩ Min.
Voltage Breakdown:	1000VAC 1 Minute
Wire AWG:	SPT-2 16AWG max.

MECHANICAL SPECIFICATIONS

Operating Temperature:	-20°C to +65°C
Housing:	PF
Strain Relief:	PVC
Tip:	Brass Ni-plated

MATERIALS

No.	Description	Material	Finish
1	Contact Tip	C2680	----
2	Cap	PF T385J	----
3	Housing	PF T385J	----
4	Spring	SWPA	Ni-Plating
5	Contact Plate	SK5	Ni-Plating
6	Washer	----	Soldering
7	Strain Relief	PVC	----

RoHS Compliant by Exemption

171-A1378-EX

Date Last Revised: 09/22/10

Available from Mouser Electronics
1-800-346-6873 / www.mouser.com

KC-301247

Specifications are subject to change without notice. No liability or warranty implied by this information. Environmental compliance based on producer documentation.