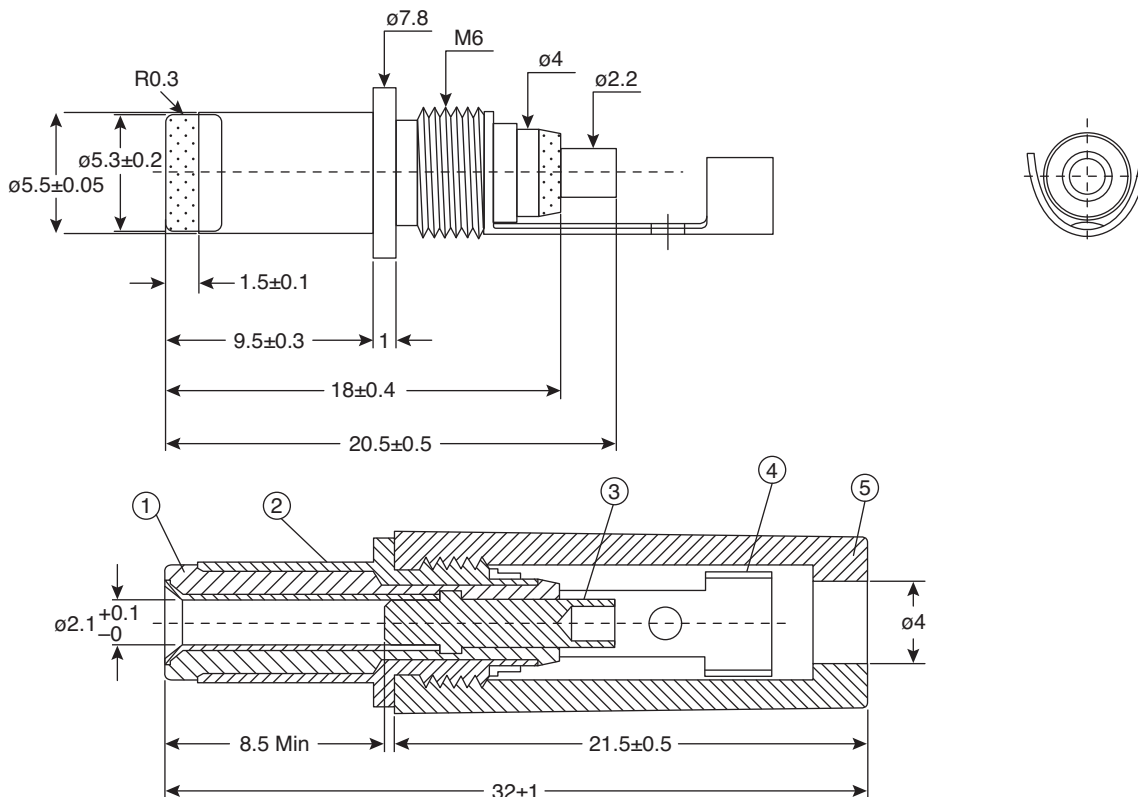


# DC Power Plug 2.1mm

171-PA5521-1GY-E



DC Power Plug 2.1mm



Dimensions: mm

MATERIAL SPECIFICATIONS	
1:	POM Black
2:	Brass Nickel
3:	Brass Nickel
4:	Brass Nickel
5:	ABS Gray
RoHS Compliant	

Date Last Revised: 8/16/10

Available from Mouser Electronics  
1-800-346-6873 / www.mouser.com

KC-301387

171-PA5521-1GY-E