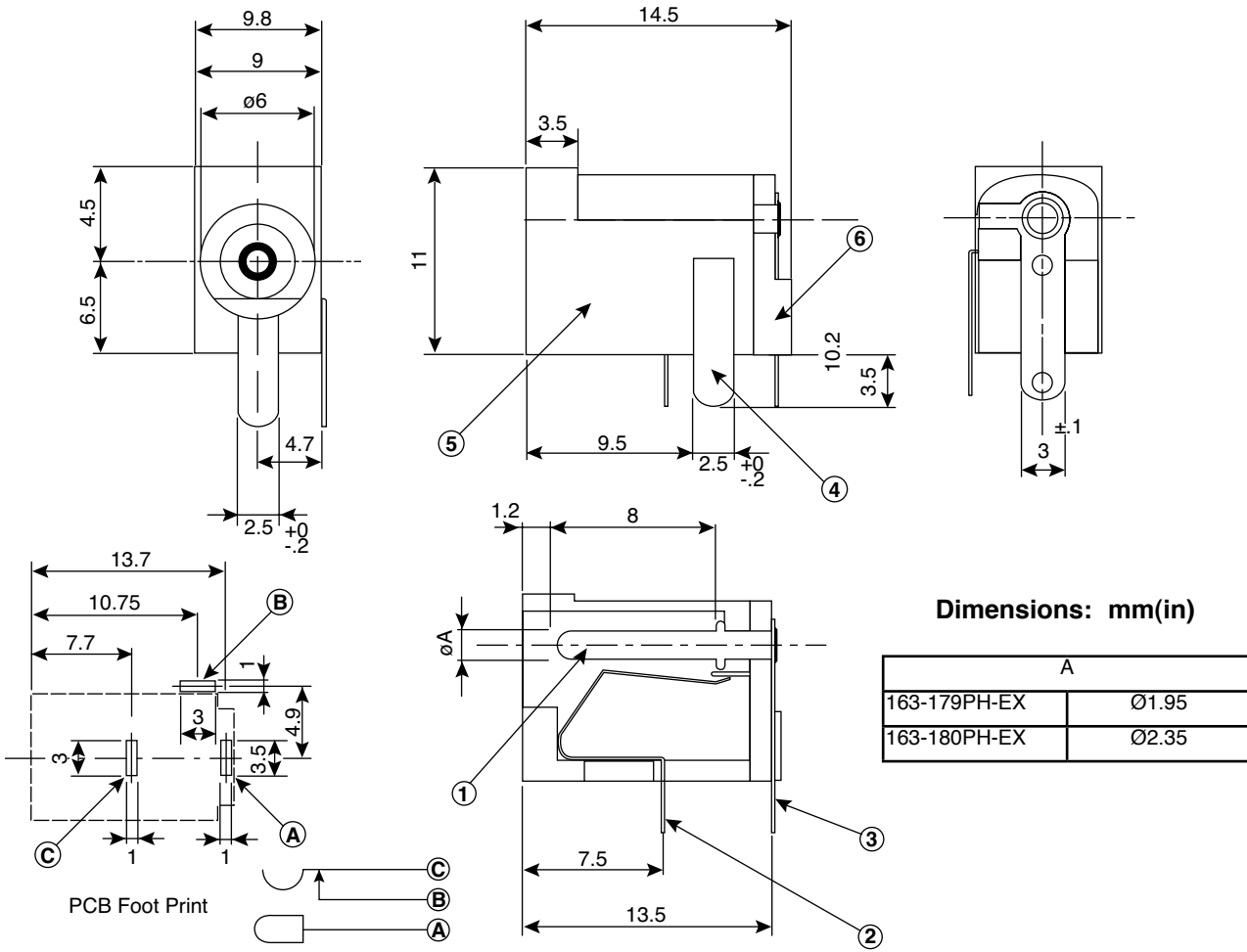


# PC Mount DC Power Jacks

163-179PH-EX, 163-180PH-EX



PC Mount DC Power Jacks



| MATERIAL SPECIFICATIONS |              |             |     |        |
|-------------------------|--------------|-------------|-----|--------|
| ITEM                    | Part Name    | Material    | QTY | Finish |
| 1                       | Center Pin   | Brass       | 1   | Ni     |
| 2                       | Terminal (S) | PBS t=0.25  | 1   | Sn     |
| 3                       | Terminal (J) | Brass t=0.4 | 1   | Sn     |
| 4                       | Terminal (B) | Brass t=0.4 | 1   | Sn     |
| 5                       | Housing      | PBT G15%    | 1   | -----  |
| 6                       | Insulator    | PBT G15%    | 1   | -----  |
| RoHS Compliant          |              |             |     |        |

Date Last Revised: 06/14/12

Available from Mouser Electronics  
1-800-346-6873 / [www.mouser.com](http://www.mouser.com)

KC-301287

Specifications are subject to change without notice. No liability or warranty implied by this information. Environmental compliance based on producer documentation.

163-179PH-EX, 163-180PH-EX