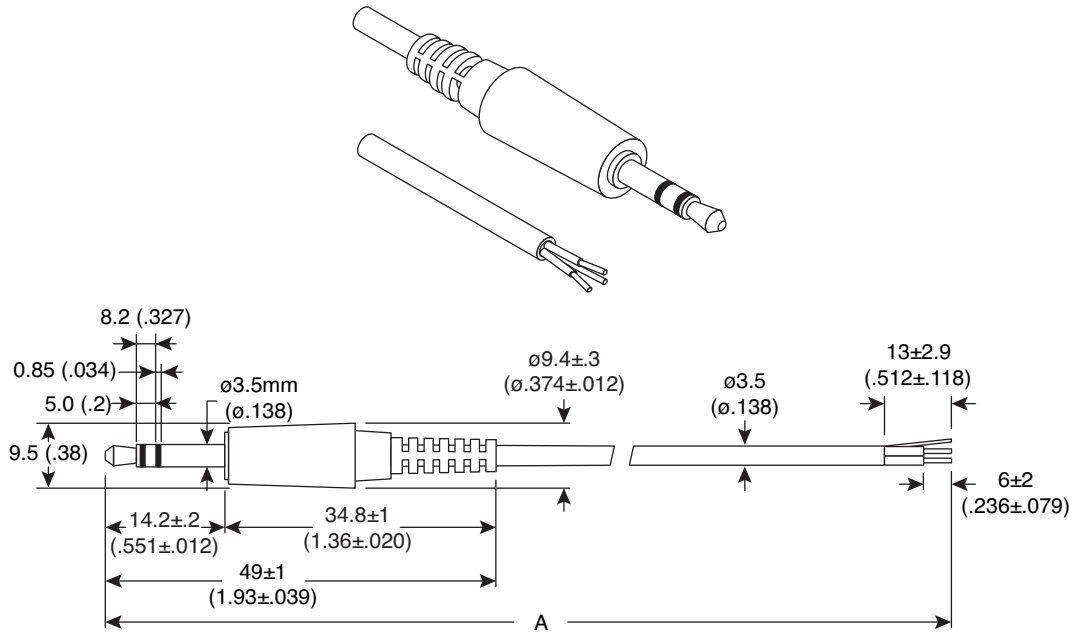


# Cable Assemblies

172-2206, 172-2216, 172-2236, 172-2306



Cable Assemblies



**DIMENSIONS: mm (in.)**

Part No.	A
172-2236	36"
172-2216	120"
172-2206	72"
172-2306	72"

SPECIFICATIONS	
<b>Type:</b>	3.5mm stereo plug/stripped & tinned, shielded
<b>Temperature:</b>	60°C
<b>Voltage rating:</b>	24VDC
<b>Conductor:</b>	26AWG (.12mm x 10) copper wire with PVC jacket
<b>Shield:</b>	.12mm x 28 wrapped copper wire
<b>Plug:</b>	Nickel plated brass
<b>Tip insulator:</b>	ABS
<b>Body &amp; jacket:</b>	PVC
<b>Wire color coding:</b>	plug tip (white), ring (red), sleeve (shielding)
<b>Color:</b>	black (172-2206, 172-2216, 172-2236), gray (172-2306)

Date Last Revised: 8-20-10

**Available from Mouser Electronics**  
**1-800-346-6873 / www.mouser.com**

KC-300321

Specifications are subject to change without notice. No liability or warranty implied by this information. Environmental compliance based on producer documentation.

172-2206, 172-2216, 172-2236, 172-2306