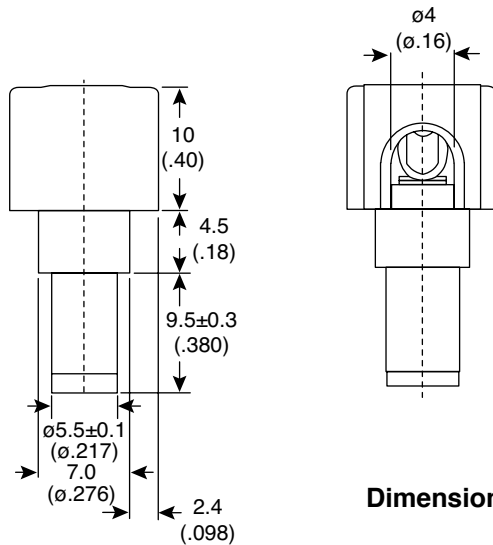
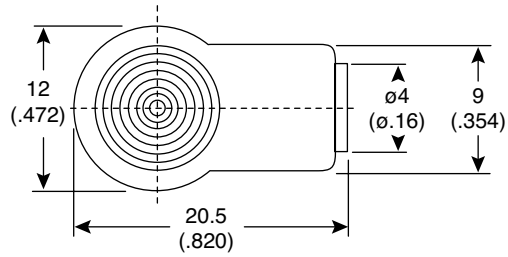
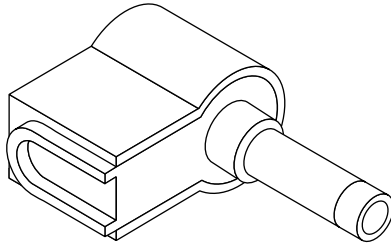


# DC Power Plugs

171-3215-EX, 171-3216-EX



DC Power Plugs



Dimensions: mm (in.)

## SPECIFICATIONS

Type:	right angle DC power solder terminal
Right angle application:	2.1±0.1mm (171-3215)-EX 2.5±0.05mm (171-3216)-EX
Max. Cable Size:	24 Awg
Contact resistance:	50mΩ max.
Insulation resistance:	100MΩ min.
Breakdown voltage:	500VAC
DC power & temperature rating:	12VDC 0.5A
Color:	Black
Lug Hole Size:	0.9mm-1mm dia.
Contacts A, B, & terminal:	Nickel Plated Brass
Insulator:	ABS
Cap:	PVC
Operating temperature:	-25°C ~ +70°C
RoHS Compliant by Exemption	

Date Last Revised: 10-15-14

Available from Mouser Electronics  
1-800-346-6873 / [www.mouser.com](http://www.mouser.com)

KC-300907

171-3215-EX, 171-3216-EX