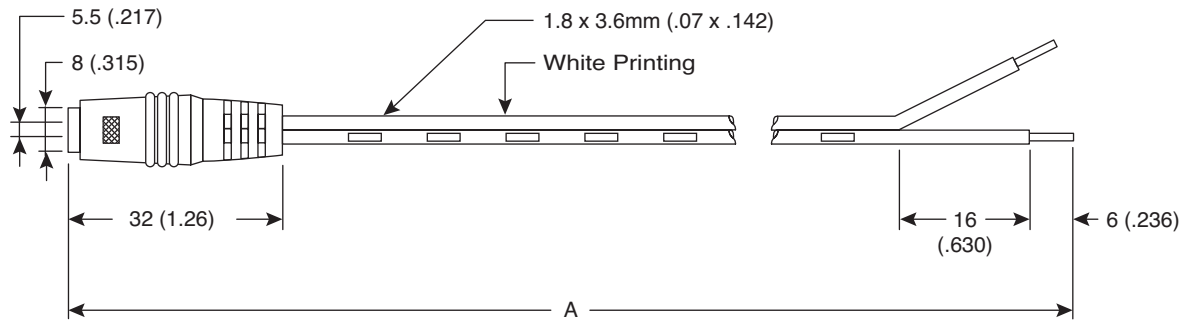


DC Power Cable

172-0210, 172-0250



DC Power Cable



Dimensions: mm and (In.)

Part No.	Type	A
172-0210	2.1mm	72"
172-0250	2.5mm	72"

SPECIFICATIONS

Temperature:	60°C
Voltage rating:	24VDC
Current Rating:	0.5 Amp
5.5 x 2.1 (5.5 x 2.5) DC jack to strip and tinned	
24 AWG wire black, length: 72 inches	
Center conductor, to rough stripe wire	
Outer conductor, to white printed wire	

Date Last Revised: 4-20-06

Available from Mouser Electronics
1-800-346-6873
www.mouser.com

KC- 300348

172-0210, 172-0250