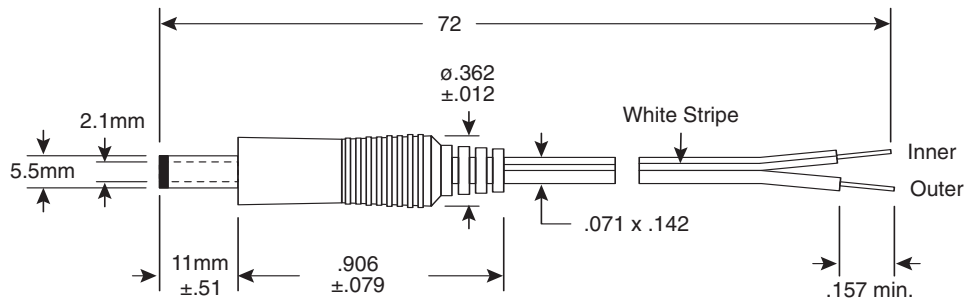
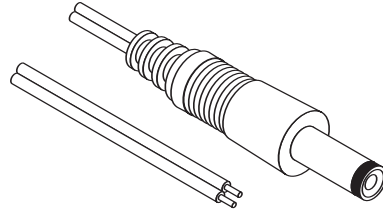


DC Power Cord

172-4101



DC Power Cord



DIMENSIONS: mm (In.)

SPECIFICATIONS	
Type:	2.1mm DC power plug/stripped & tinned
Cord type:	Parallel w/stripped pin indicator
Wire size:	24AWG
Jacket:	Black PVC
Current rating:	6A max.

Date Last Revised: 3-11-05

Available from Mouser Electronics
1-800-346-6873
www.mouser.com

KC-300326

172-4101