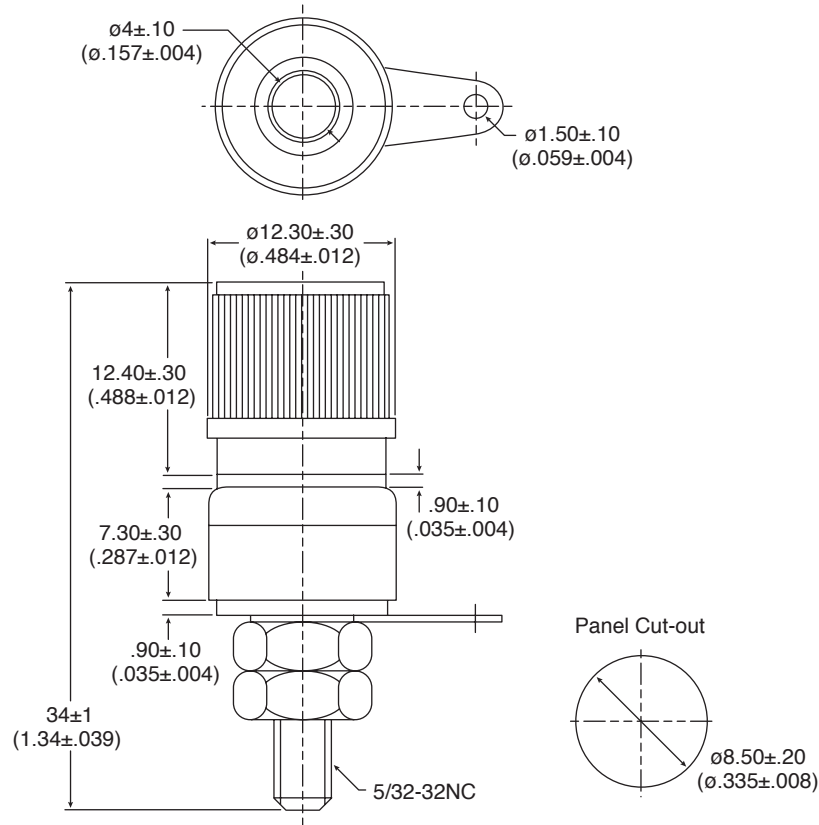


Binding Posts



164-R101B-EX, 164-R101R-EX

Binding Posts



Dimensions: mm (in.)

SPECIFICATIONS

| | |
|-------------------------------|---------------------------|
| Current Rating: | 10A/125VAC |
| Insulator Resistance: | 500VDC 100M Ω min. |
| Operating Temperature: | -10°C to +80°C |
| Voltage Breakdown: | 1000VAC 1 minute |
| RoHS Compliant by Exemption | |

Date Last Revised: 3-6-07

Available from Mouser Electronics
1-800-346-6873 / www.mouser.com

KC-301100

Specifications are subject to change without notice. No liability or warranty implied by this information. Environmental compliance based on producer documentation.

164-R101B-EX, 164-R101R-EX