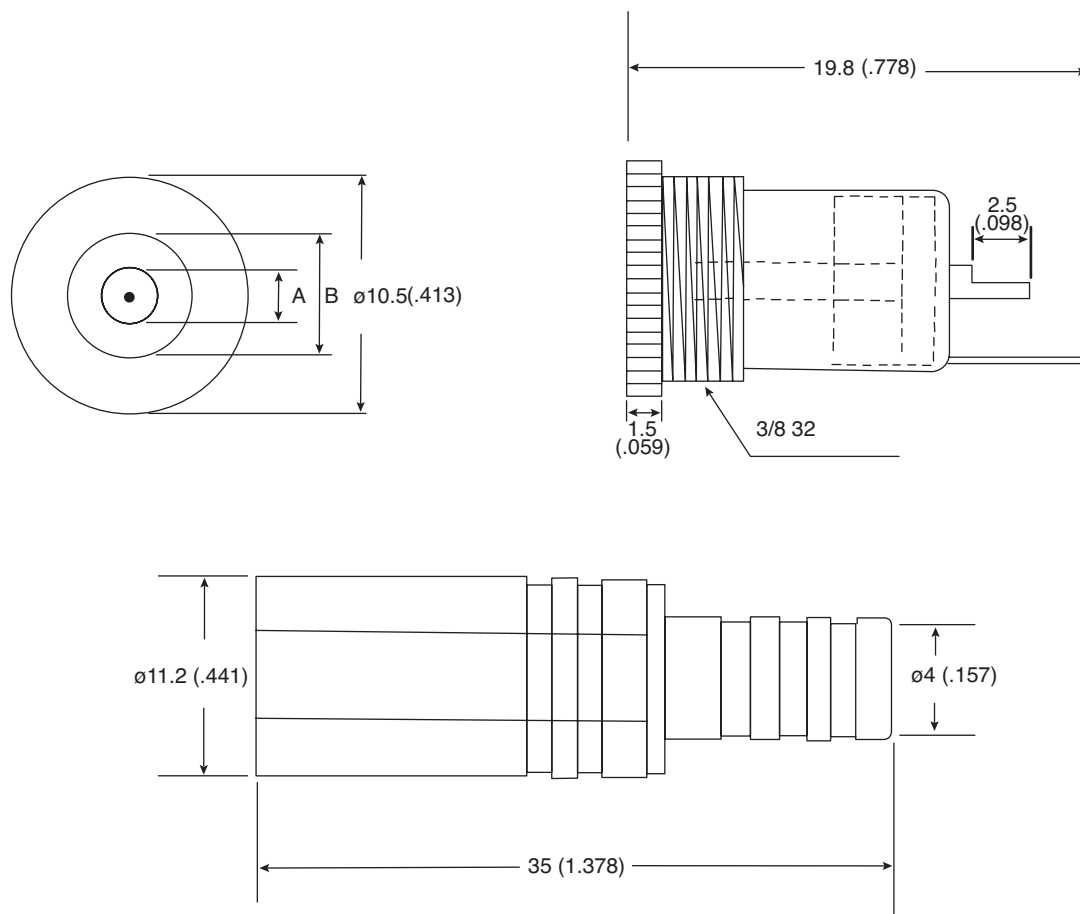


In-Line DC Jack

163-0302, 163-0303



In-Line DC Jack



Dimensions: In.

| ELECTRICAL SPECIFICATIONS | |
|---------------------------|------------|
| Tolerance: | ± 0.05 |
| Voltage Rating: | DC 13.5V |
| Current Rating: | 2A |

| MECHANICAL SPECIFICATIONS | |
|---------------------------|---------|
| Body: | BSBM Ni |
| Spring Material: | BSBM Ni |
| Insulator: | Derlin |
| Contact Pin: | BSBM Ni |
| Cap: | ABS |

| Part No. | A | B | Type |
|----------|--------------------|-------------------|-------|
| 163-0302 | $\phi 1.95 (.077)$ | $\phi 5.5 (.217)$ | 2.1mm |
| 163-0303 | $\phi 2.35 (0.93)$ | $\phi 5.5 (.217)$ | 2.5mm |

Date Last Revised: 11-27-06

Available from Mouser Electronics
1-800-346-6873
www.mouser.com

KC-300094

163-0302, 163-0303