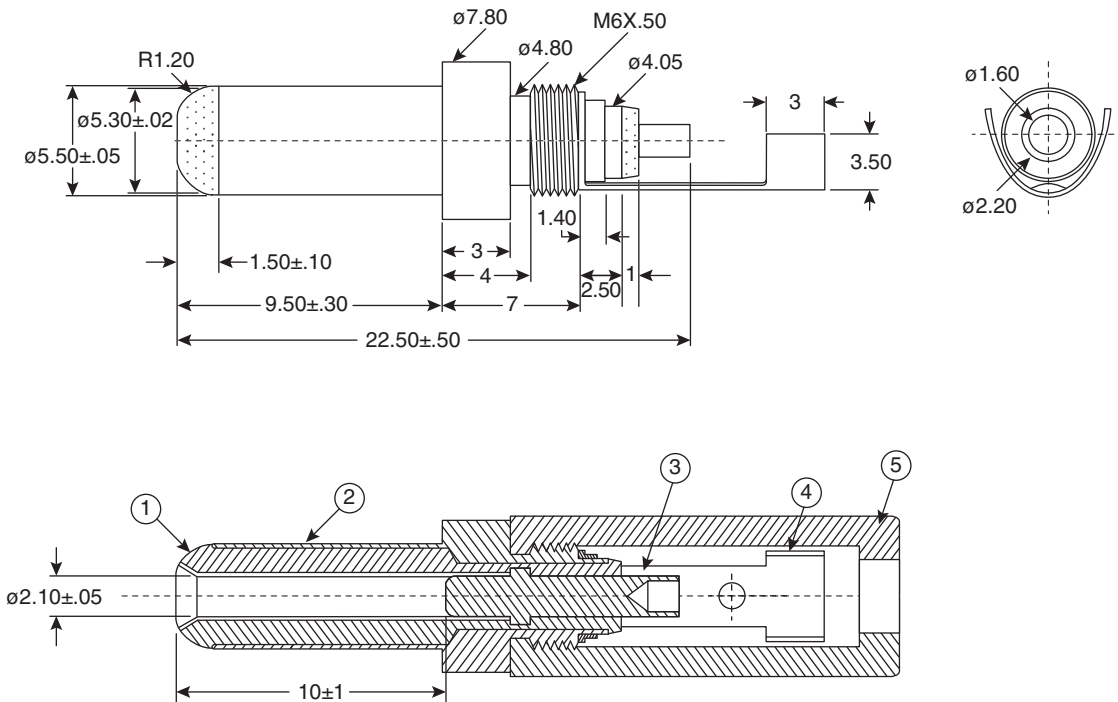


DC Power 2.1mm

171-PA5521-1-E



DC Power 2.1mm



Dimensions: mm

SPECIFICATIONS	
1	POM Black
2	Brass Nickel
3	Brass Nickel
4	Brass Nickel
5	ABS Black
RoHS Compliant	

Date Last Revised: 4-7-10

Available from Mouser Electronics
1-800-346-6873 / www.mouser.com

KC-301380

171-PA5521-1-E