

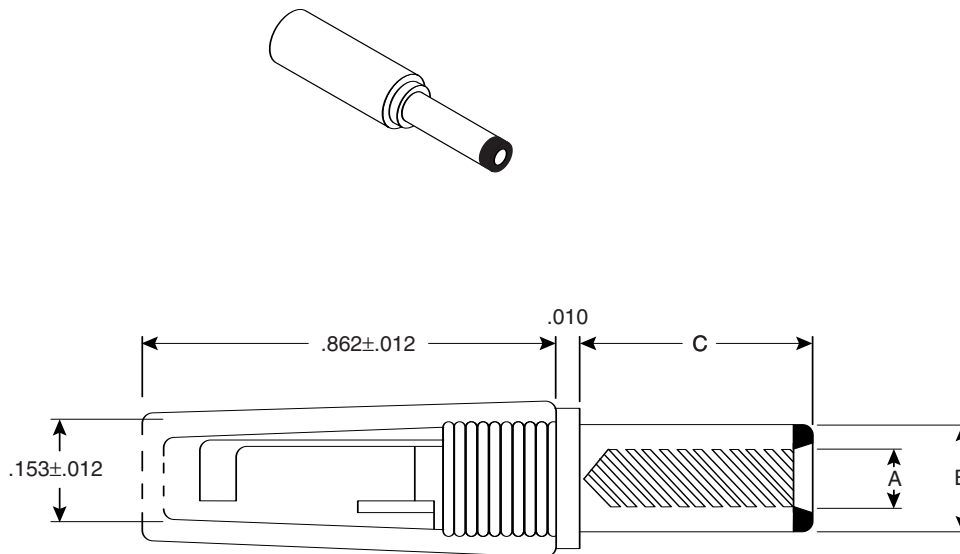
# DC Power Plugs

1710-2111, 1710-2122, 1710-2131,  
1710-2512, 1710-2521, 1710-2531



DC Power Plugs

1710-2111, 1710-2122, 1710-2131, 1710-2512, 1710-2521, 1710-2531



**Dimensions: In.**  
(except where noted)

| Mouser Stock No. | Dimensions (mm) |     |      | Housing Color |
|------------------|-----------------|-----|------|---------------|
|                  | A               | B   | C    |               |
| 1710-2111        | 2.1             | 5.5 | 14.0 | Black         |
| 1710-2122        | 2.1             | 5.5 | 14.0 | Gray          |
| 1710-2131        | 2.1             | 5.5 | 9.9  | Black         |
| 1710-2512        | 2.5             | 5.5 | 9.9  | Gray          |
| 1710-2521        | 2.5             | 5.5 | 9.9  | Black         |
| 1710-2531        | 2.5             | 5.5 | 14.0 | Black         |

## SPECIFICATIONS

|                                       |                     |
|---------------------------------------|---------------------|
| <b>DC power rating:</b>               | 12VDC 0.5A          |
| <b>Withstand voltage:</b>             | 500VAC/min.         |
| <b>Insulation resistance:</b>         | 50MΩ min. @ 500VDC  |
| <b>Contact resistance:</b>            | 30mΩ max.           |
| <b>Handle:</b>                        | polyethylene        |
| <b>Plug body:</b>                     | nickel plated brass |
| <b>Contact:</b>                       | nickel plated brass |
| <b>Insulator:</b>                     | PBT w/fiberglass    |
| <b>Maximum soldering temperature:</b> | 392°F               |
| <b>Thread Size:</b>                   | M6                  |
| <b>Thread Pitch:</b>                  | 0.5                 |

Date Last Revised: 4-14-05

Available from Mouser Electronics  
1-800-346-6873  
www.mouser.com

KC-300472