

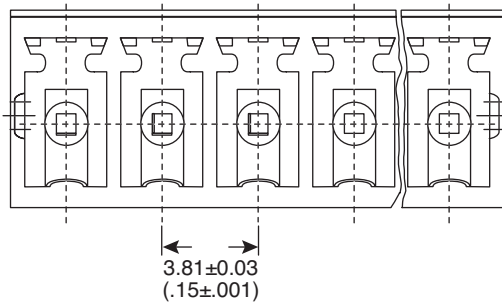
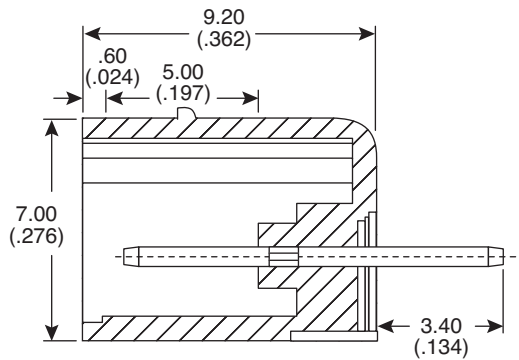
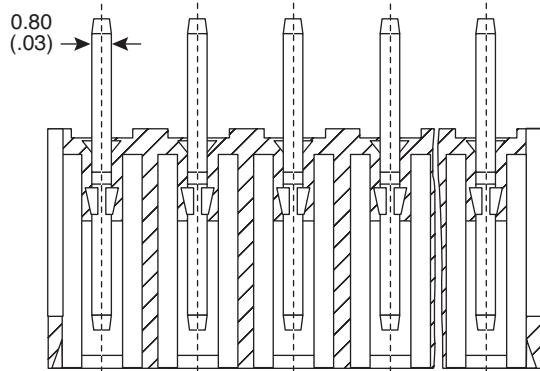
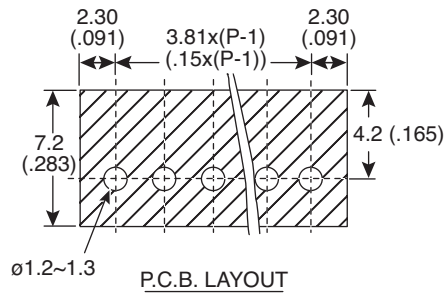
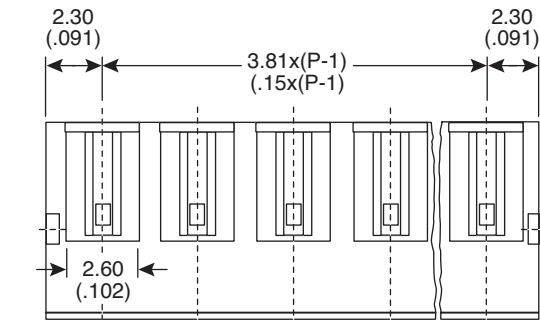
# Terminal Blocks

158-P02ECH381VH-E, 158-P03ECH381VH-E, 158-P04ECH381VH-E, 158-P05ECH381VH-E,  
158-P06ECH381VH-E, 158-P07ECH381VH-E, 158-P08ECH381VH-E, 158-P09ECH381VH-E,  
158-P10ECH381VH-E, 158-P11ECH381VH-E, 158-P12ECH381VH-E



Terminal Blocks

158-P02ECH381VH-E, 158-P03ECH381VH-E, 158-P04ECH381VH-E, 158-P05ECH381VH-E, 158-P06ECH381VH-E, 158-P07ECH381VH-E,  
158-P08ECH381VH-E, 158-P09ECH381VH-E, 158-P10ECH381VH-E, 158-P11ECH381VH-E, 158-P12ECH381VH-E



Dimensions: mm (in.)

## SPECIFICATIONS

<b>Rating:</b>	300V 8A
<b>Pitch:</b>	3.81 mm
<b>Insulation Withstand Voltage:</b>	1000 VAC min.
<b>Insulation Resistance:</b>	1000 MΩ or more @ 500VDC
<b>Temperature Range:</b>	-40°C ~ +130°C
<b>Solder Pin:</b>	Copper, tin plated
<b>Housing:</b>	PBT, green

RoHS Compliant

Date Last Revised: 4-13-07

Available from Mouser Electronics  
1-800-346-6873 / www.mouser.com

KC- 301126

Specifications are subject to change without notice. No liability or warranty implied by this information. Environmental compliance based on producer documentation.