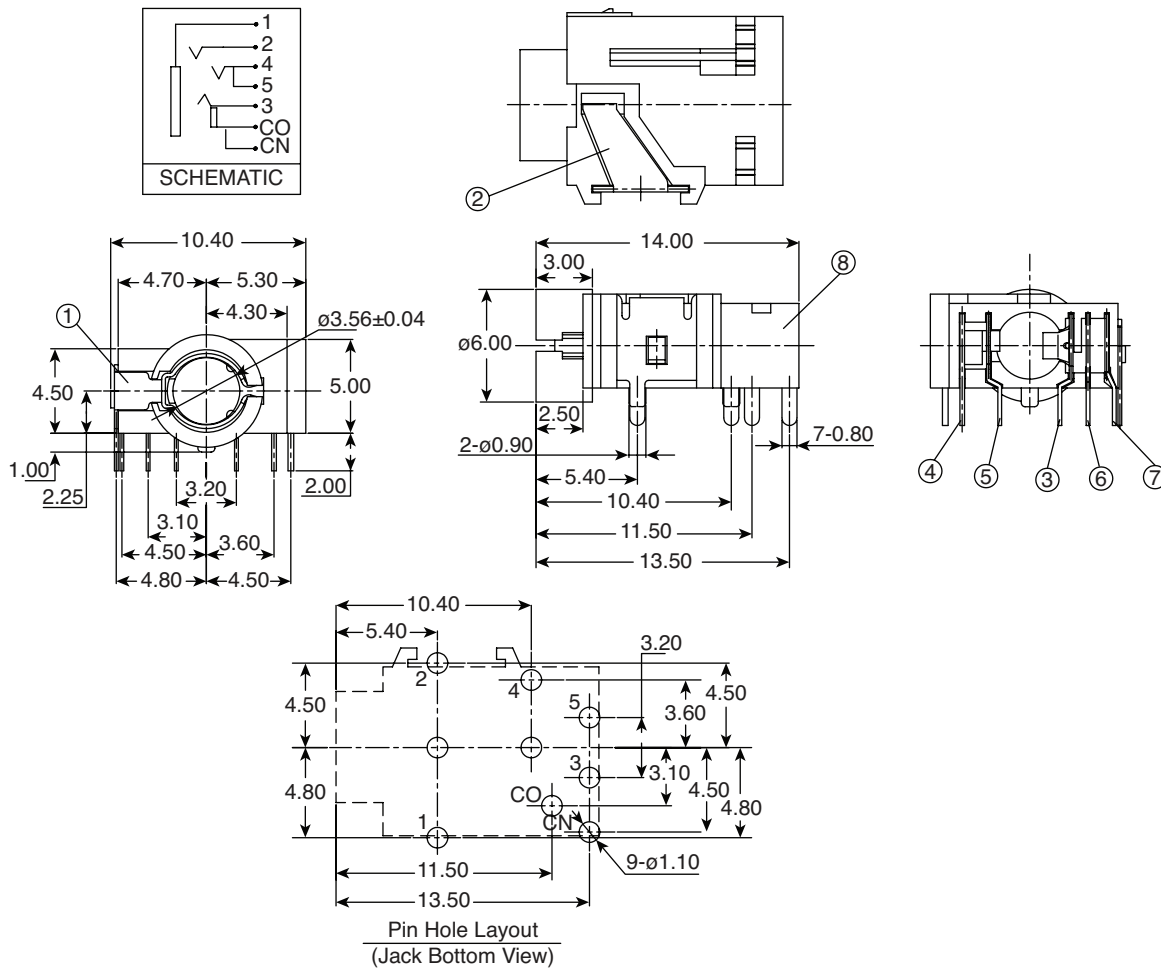


Phone Jack 3.5mm Stereo 4 Con

161-376US-E



Phone Jack 3.5mm Stereo 4 Con



DIMENSIONS: mm

ELECTRICAL SPECIFICATIONS

Contact Resistance:	30mΩ max.
Insulation Resistance:	100MΩ min. at DC 500V
Dielectric Withstand Voltage:	AC 500V for one minute

No.	Description	Material	Quantity	Finish
1	Earth Terminal	0.2T Phosphor Bronze	1	Gold Plated
2	Ring Spring	0.3T Phosphor Bronze	1	Silver Plated
3	Break Terminal A	0.2T Phosphor Bronze	1	Silver Plated
4	Break Terminal B	0.25T Phosphor Bronze	1	Silver Plated
5	Tip Spring	0.25T Brass	1	Silver Plated
6	Shunt Terminal A	0.2T Phosphor Bronze	1	Silver Plated
7	Shunt Terminal B	0.2T Phosphor Bronze	1	Silver Plated
8	Housing	PBT+15%G	1	Silver Plated

RoHS Compliant

Date Last Revised: 07/17/12

Available from Mouser Electronics
1-800-346-6873 / www.mouser.com

KC-301427

Specifications are subject to change without notice. No liability or warranty implied by this information. Environmental compliance based on producer documentation.

161-376US-E