

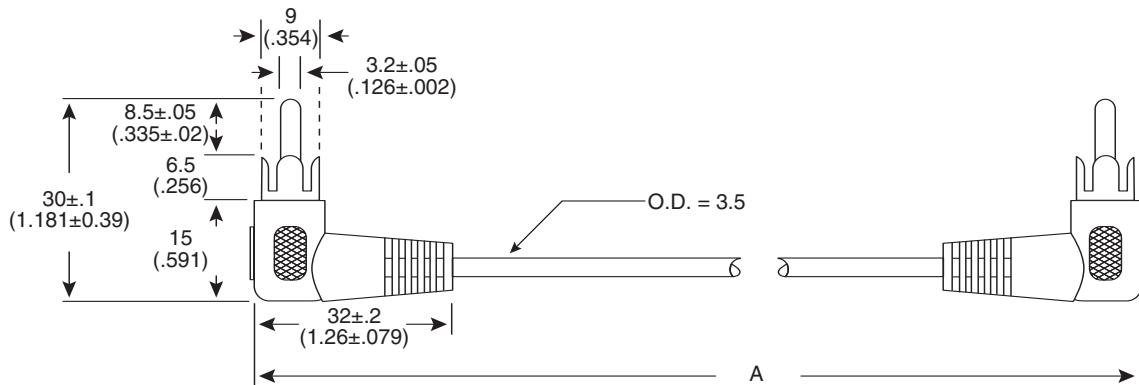
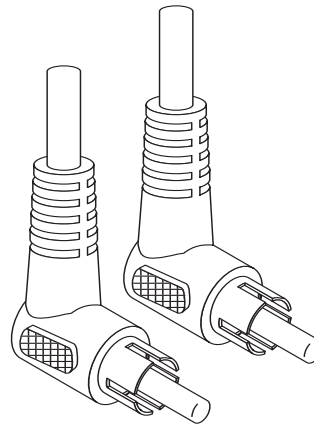
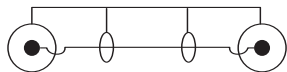
Right Angle Cable Assemblies

172-1001, 172-1002, 172-1110



Right Angle Cable Assemblies

Connection
RCA Plug RCA Plug



DIMENSIONS: mm (IN)

SPECIFICATIONS

Type:	RCA Phono Plug/Plug, Shielded
Jacket:	Gray PVC
Conductor:	26AWG
Shield:	.12mm x 28
Cable O.D.:	3.5mm
Temperature:	60°C
Resistance:	0.15Ω per Meter
Voltage Rating:	24VDC
Tip to Tip, Shield to Shield	

Mouser Stock No.	Length "A" (mm/in)	TOL (mm/in)
172-1001	920 (36)	30 (1.181)
172-1002	1525 (60)	50 (1.969)
172-1110	3050 (120)	100 (3.937)

Date Last Revised: 4-6-05

Available from Mouser Electronics
1-800-346-6873
www.mouser.com

KC-300310

172-1001, 172-1002, 172-1110