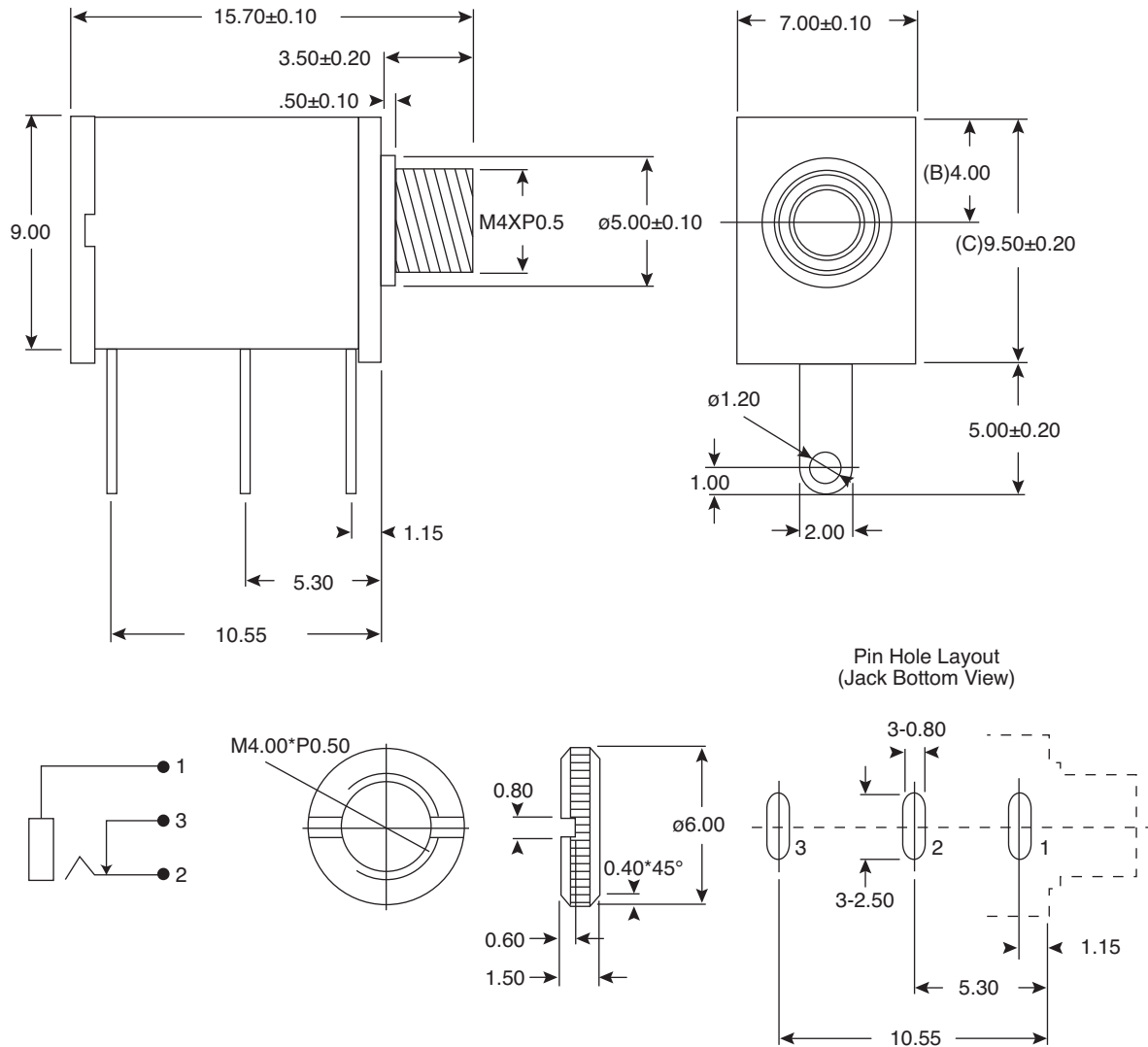


# Phone Jack 2.5mm Mono

161-3403-E



Phone Jack 2.5mm Mono



Dimensions: mm

MATERIAL SPECIFICATIONS	
<b>Nut:</b>	Brass Nickel Plated
<b>Housing:</b>	PBT Black
<b>Cover:</b>	PBT Black
<b>Barrel:</b>	Brass Nickel Plated
<b>Break Terminal:</b>	0.3T Brass Silver Plated
<b>Ring Spring:</b>	0.25T Phosphor Bronze Silver Plated
<b>Earth Terminal:</b>	0.3T Brass Silver Plated
<b>RoHS Compliant</b>	

ELECTRICAL SPECIFICATIONS	
<b>Contact Resistance:</b>	30mΩ max.
<b>Insulation Resistance:</b>	100MΩ min. at DC 500V
<b>Dielectric Withstanding</b>	AC 500V for one minute
<b>Voltage:</b>	

Date Last Revised: 09/30/08

Available from Mouser Electronics  
1-800-346-6873 / www.mouser.com

KC-301253

Specifications are subject to change without notice. No liability or warranty implied by this information. Environmental compliance based on producer documentation.

161-3403-E