

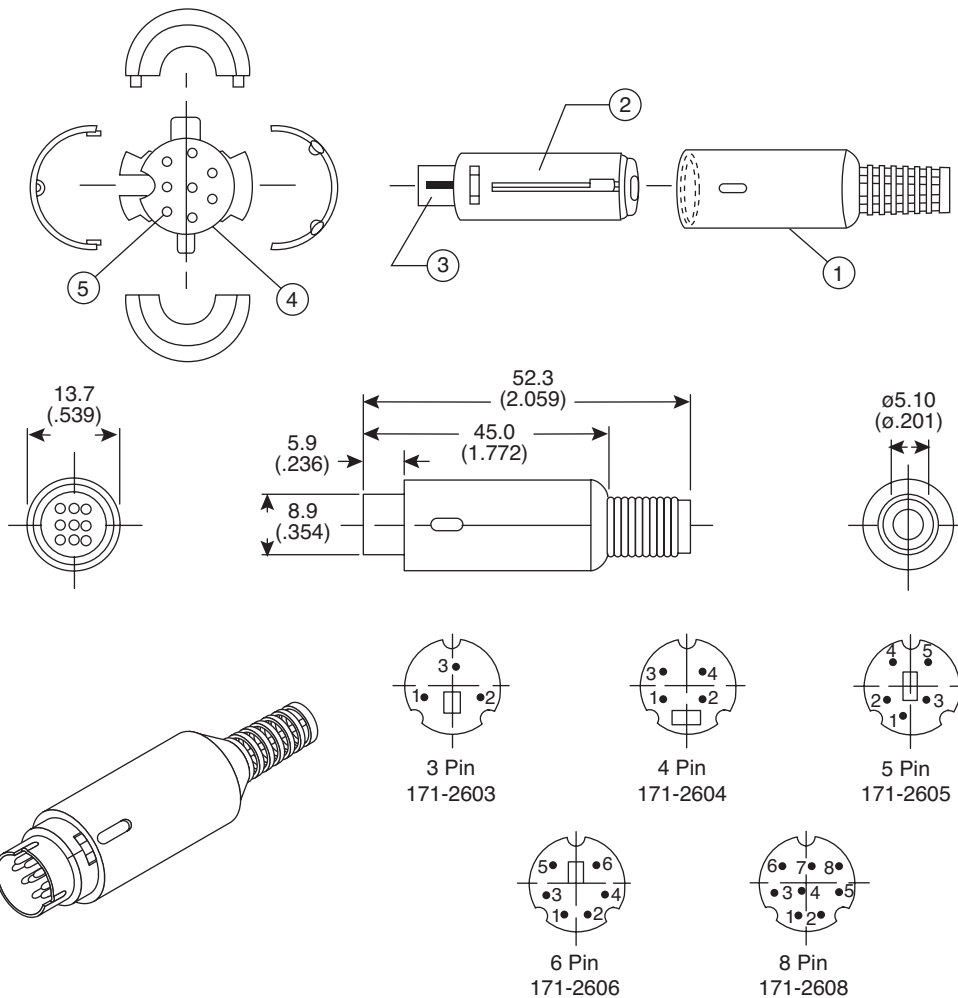
Mini-Din Plugs

171-2603, 171-2604, 171-2605,
171-2606, 171-2608



Mini-Din Plugs

171-2603, 171-2604, 171-2605, 171-2606, 171-2608



SPECIFICATIONS	
Voltage Rating:	100VAC 1A max.
Insulation Resistance:	50MΩ @ 500VDC
Dielectric:	500VAC for 1 minute
Contact Resistance:	30m Ω max.
Max. Acceptable Wire Size:	16AWG
Boot:	PVC
Housing:	ABS
Shell:	nickel plated brass
Insulator:	polycarbonate
Pins:	silver plated brass
Solder Temperature:	200°C within 1 sec.
Assembly:	yes

Dimensions: mm (in.)

ASSEMBLY SPECIFICATIONS		
1	Cover:	PVC black
2	Con:	A.B.S.
3	Shell:	bronze, nickel plated
4	Insulator:	PC (or nylon)
5	Pins:	bronze

Date Last Revised: 6/21/12

Available from Mouser Electronics
1-800-346-6873
www.mouser.com

KC-300256