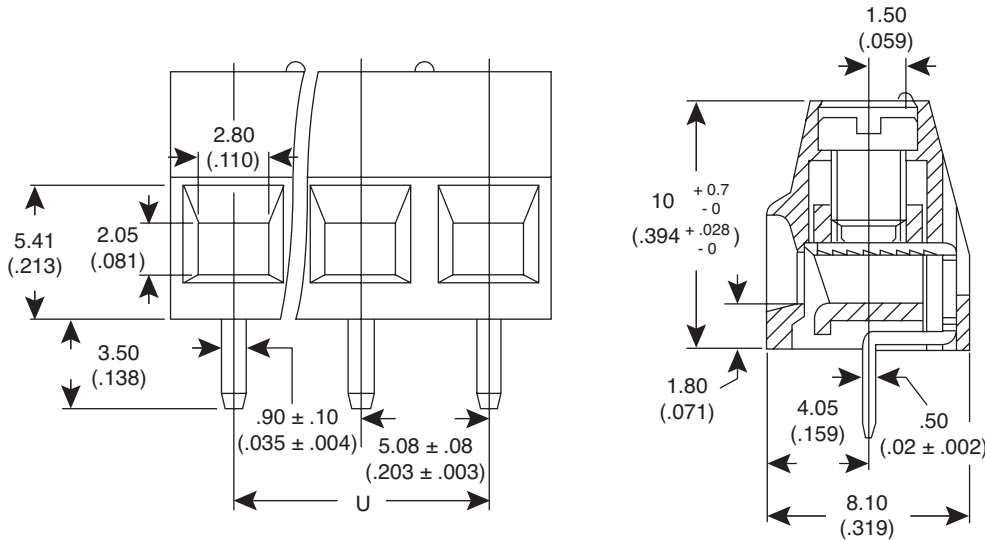
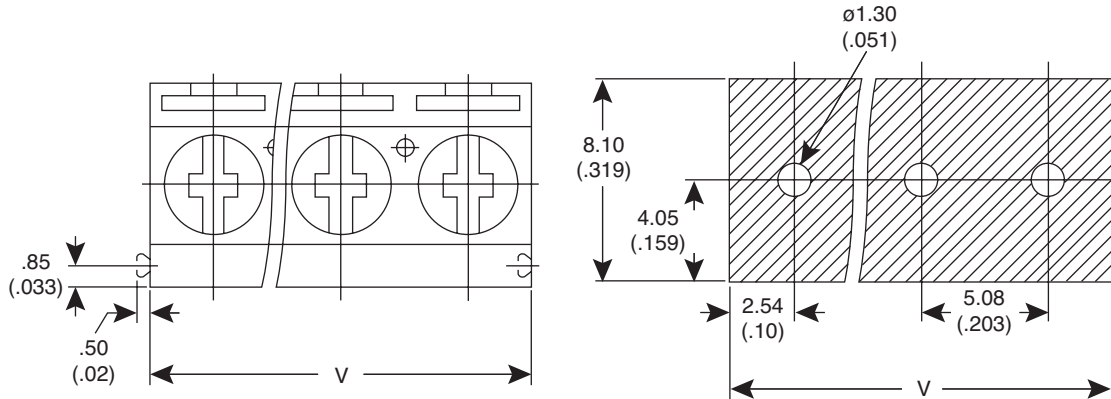


Terminal Blocks

158-P02ELK508V2-E, 158-P02ELK508V3-E, 158-P02ELK508V4-E,
 158-P02ELK508V5-E, 158-P02ELK508V6-E, 158-P02ELK508V7-E,
 158-P02ELK508V8-E, 158-P02ELK508V9-E, 158-P02ELK508V10-E,
 158-P02ELK508V11-E, 158-P02ELK508V12-E,



Terminal Blocks



Dimensions: mm (in.)

P	02P	03P	04P	05P	06P	07P	08P	09P	10P	11P	12P
U mm	5.08	10.16	15.24	20.32	25.40	30.48	35.56	40.64	45.72	50.80	55.88
V mm	10.16	15.24	20.32	25.40	30.48	35.56	40.64	45.72	50.80	55.88	60.96

ELECTRICAL SPECIFICATIONS	
Rating:	300V 13.5A
Pitch:	5.08 mm
Insulation withstands voltage:	AC 1500 V/Min
Insulation resistance:	500MΩ or more at DC500V
Temperature range:	-40°C ~ +105°C
Screw torque value:	8kg-cm
Electric wire:	26~16 AWG

MATERIAL SPECIFICATIONS	
Solder pin:	brass, Sn plated
Wire cage:	steel, M2.5/Zn plated
Screw:	Steel, M2.5/Zn plated
Housing:	PA66, green
RoHS Compliant	

158-P02ELK508V2-E, 158-P02ELK508V3-E, 158-P02ELK508V4-E, 158-P02ELK508V5-E,
 158-P02ELK508V6-E, 158-P02ELK508V7-E, 158-P02ELK508V8-E, 158-P02ELK508V9-E,
 158-P02ELK508V10-E, 158-P02ELK508V11-E, 158-P02ELK508V12-E

Date Last Revised: 3-7-07

Available from Mouser Electronics
 1-800-346-6873 / www.mouser.com

KC-301117

Specifications are subject to change without notice. No liability or warranty implied by this information. Environmental compliance based on producer documentation.